

# newDuet<sup>®</sup>



ENGLISH

PP 3-13

FRANÇAIS

PP 15-25

ITALIANO

PP 27-37

ESPAÑOL

PP 39-49

DEUTSCH

PP 51-61

**OPERATING INSTRUCTIONS  
AND  
MAINTENANCE MANUAL**

**S-SCORT® newDuet® Model 2314**

**AC SUCTION UNIT WITH BATTERY BACK-UP  
100V-240V AC POWER**

**30 LPM PERFORMANCE  
DC BATTERY BACK-UP**

**CONTROLLED BATTERY  
MAINTENANCE**

**SSCOR, Inc.**  
11064 Randall St.  
Sun Valley, CA 91352  
USA

Tel Int. +1 818 504 4054  
Fax +1 818 504 6032  
USA 800 434 5211

[www.sscor.com](http://www.sscor.com)  
email: [marketing@sscor.com](mailto:marketing@sscor.com)

# Table of Contents

S-SCORT® newDuet® Model 2314

Caution-Notice	4
General Description and Symbols	5
Getting Acquainted- Basic Instructions	6 – 7
General Specifications-Trouble Shooting	8
Warranty-Maintenance	9
Internal Access-Internal Components	10
Retention Bracket Mounting Instructions	11
Declaration of Conformity	12

## Caution-Notice

S-SCORT® newDuet® Model 2314

1. Federal law restricts this device to sale, distribution, and use by, or on the order of a physician, emergency medical technician, or other medical practitioner. For use by medical personnel trained in suctioning techniques and in the use of medical suction equipment.
2. This manual is restricted to the discussion of the use and maintenance of this device. It does not attempt to discuss professional techniques in suctioning procedures.
3. Operator should be thoroughly familiar with these operating instructions before this device is used.
4. Use a thumb control on all suction tips, especially when suctioning children and intubated patients. The regulator's low setting can be used when suctioning children and intubated patients.
5. Reconnect to AC charging source after each use. Check battery condition indicator lights daily
6. The battery is protected from a deep discharge condition by shutting down after approximately 45 minutes ( $\pm 10\%$ ) running time. Reconnect to AC power to restart.
7. Do not use in the presence of flammable agents or anesthetics.
8. The shut-off valve in the canister lid will close down when the canister is full.
9. Install a new canister before testing for vacuum over 300mmHg to minimize the possibility of implosion, which can occur when a canister is aged or damaged.
10. Where the integrity of the external protective earth conductor arrangement (ground) is in doubt, the unit shall be operated from its internal electrical power source (battery only). Grounding reliability can only be achieved when connected to an equivalent receptacle marked "Hospital Only" or "Hospital Grade".
11. To discern the condition of the battery when the unit is disconnected from the power source turn the unit on and observe the battery condition LED 's on the control panel.

S-SCORT® newDuet® Model 2314  
AC suction unit with battery back-up  
US Patent Pending

ETL listed, conforms to UL STD 2601-1, IEC 60601-1, and EN 60601-1-2, Certified to CAN/CSA STD C22.2 NO 601.1  
©2000 - 2003 SSCOR, Inc., S-SCORT, Duet, HI-D and Big Stick are registered trademarks of SSCOR, Inc.

# General Description







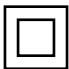
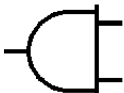
S-SCORT® newDuet® Model 2314

S-SCORT newDuet® is a portable, 100V-240V AC constant suction device, with a 12V DC battery back-up. The battery is charged by an internal, DC Dual Mode battery charger. A fully charged battery will power the unit for 45 minutes (+/-10%). Battery condition is automatically monitored and visualized by indicator lights on the control panel. AC charging should bring the battery to a dependable working charge in 6 to 8 hours. Suction power can be regulated when full power may be considered harmful to the patient.

**CAUTION: S-SCORT suction units are designed for hospital crash cart suction, patient transport and emergency medical service. They are not designed or intended for use in extended procedures that require prolonged high vacuum/low airflow applications, as is the case in wound drainage or endoscopic use or in any other procedure that produces high vacuum levels within an occluded system for an extended period of time. Turn the S-SCORT suction unit off when it is not in use.**

## Description of Symbols

S-SCORT® newDuet® Model 2314

SYMBOL	LOCATION	MEANING
	Control panel	Pump is on
	Serialized label	Type B equipment
	Control panel	Battery level of charge
		Green LED = Full
		Green/Yellow LED = High
		Yellow LED = Half
		Yellow/Red LED = Low
	Control panel	Red LED = Battery depleted Put back on Charge
	Control panel	Push On / Push Off
100-240 V 	Serialized label	Alternating Current (100-240 V)
	Serialized label	Class II Equipment / Double Insulation
	Control panel	Power source connected



# Getting Acquainted

S-SCORT® newDuet® Model 2314

## Running on AC Power

1. Connect the male plug on the AC power cord (1) to a grounded wall receptacle.
  - 1A. Connect the female plug to the facing side of the unit (1A).
2. Check the control panel (2). The “power source connected” orange LED (3) shows a good connection and battery is charging.

## Test for vacuum

3. Attach patient tubing to patient port (12) on collection canister (13).
4. Press the ON/OFF switch (5) on the control panel to start the vacuum pump.
5. Occlude patient tube and turn vacuum regulator (7) clockwise to the stop.
6. Observe gauge (8). The vacuum reading should rise to 300mmHg from the zero setting in 2 seconds. It should max out at approximately 525 mmHg.

**NOTE 1:** If the vacuum does not reach 525mmHg, see Trouble shooting, page 8. Refer internal vacuum problems to qualified personnel.

**NOTE 2:** After the vacuum test, readjust the vacuum reading to your desired level.

## Running on DC Power

While the unit is still running, disconnect the AC power cord (1) to test the function of the battery.

1. Check battery condition indicators (4), see page 5.

**SPECIAL NOTICE:** A blinking LED on the control panel indicates low battery capacity. This means the battery has been subjected to irreparable damage (see page 9). **REPLACE BATTERY!**

Keep the newDuet® connected to AC power at all times, except for portable use. The battery will not overcharge.

**Weekly Inspection:** Establish a weekly checklist to assure performance of the equipment.

1. Confirm the AC cord is supplying AC power. Check power indicator lights on the Control Panel (3).
2. Run the unit.
3. Check for vacuum, occlude patient tubing.
4. Check the regulator (7), adjust to desired setting

# General Specifications

S-SCORT® newDuet® Model 2314

CHARACTERISTICS	SPECIFICATIONS
Size	17”L x 9”H x 6”W
Weight	8.6 lbs.
Vacuum Pump	12V DC oil-less diaphragm, 3.0A Exceeds 525 mmHg Clinical Airflow = 30LPM
Variable Regulator (7)	Controls vacuum from 50 to 525+ mmHg
Gauge (8)	Calibrated in mmHg. Color-coded
Power Source: Battery (DC Power)	Rechargeable Sealed Lead Acid 45 (±10%) minute running time
Medical switcher (AC Power)	100V - 240VAC, 47 - 63Hz
Switch (5)	Uses 1ea. 2A 250V fast acting fuse Off/Standby/On membrane switch
AC Receptacle (1A)	Uses (2) 2.5A 250 V fast acting fuses
Collection Canister (13)	1200cc SSCOR part #48041
Patient tubing	Vinyl tubing 9/32”ID, 72”L SSCOR part #43200
Suction Tip	HI-D® . “Big Stick®”. SSCOR part #44241

## Trouble Shooting

S-SCORT® newDuet® Model 2314

PROBLEM	POSSIBLE CAUSE	CORRECTIVE ACTION
Does not function when switch is on (DC Power)	Battery discharged	Reconnect to AC power to activate charger
Blinking LED	Low battery capacity	Replace battery
Power source connected	Fuse blown	Replace fuse (see above) indicator light not lit
	AC power cord disconnected (1-1A)	Reconnect cord
No suction when pump is running	Vacuum line (10) loose	Tighten
	Canister (13) defective	Replace
	Canister lid (13) loose	Tighten
	Catheter thumb vent is open	Occlude
	Debris has collected in pump	Refer to maintenance section of this manual

# Warranty

S-SCORT® newDuet® Model 2314

SSCOR warrants that each new product is free from defects in material and workmanship under normal use and service for a period of one year from date of purchase.

If returned to SSCOR, we will arrange for repairs or replacement within the terms of the warranty. The defective product should be decontaminated and returned properly packaged and postage prepaid. Loss or damage in transit to the factory shall be at the purchaser's risk.

Please call 800.434.5211 - Int. +1 818.504.4054 for return authorization. Loss or damage in return shipment from SSCOR shall be at the purchaser's risk.

The warranty shall not apply to any SSCOR product which has been repaired by anyone other than an authorized SSCOR representative, or altered in any way so as, in SSCOR's judgment, to affect its safety or efficacy, nor which has been subject to misuse, negligence, or accident, nor which has had the serial number altered, effaced or removed.

Neither shall this warranty apply to any SSCOR product which has been connected otherwise than in accordance with the instructions furnished by SSCOR.

This warranty is in lieu of all other warranties expressed or implied and of all other obligations or liabilities on SSCOR's part, and SSCOR neither assumes, nor authorizes any representative or other persons to assume for it, any other liability in connection with the sale of SSCOR products.

Batteries and disposable collection canisters are excluded from this warranty.

## Model 2314 Battery Replacement Policy

SSCOR will replace any S-SCORT newDUET® Model 2314 battery which fails to operate the pump to specifications for a period of three years from the date of purchase. Verify the condition of the battery per the weekly checklist on Page 7 in this Operations Manual.

# Maintenance

S-SCORT® newDuet® Model 2314

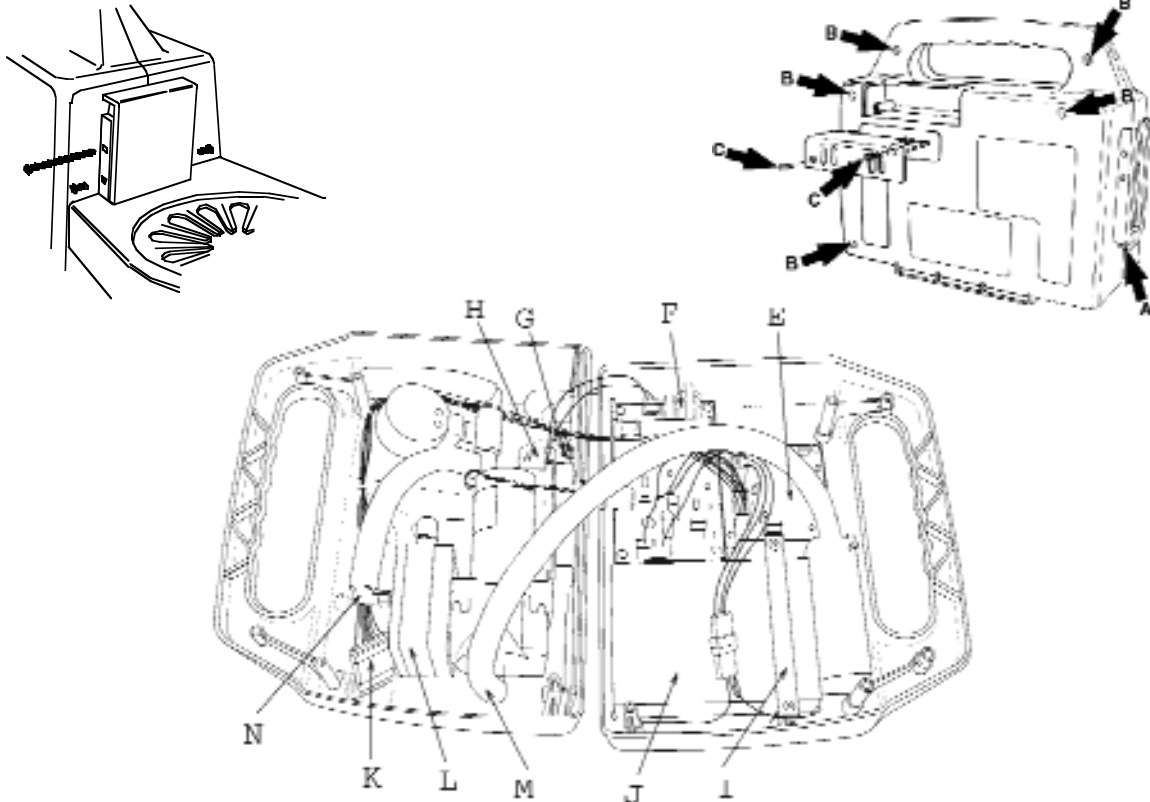
- The unit is designed to suction contaminated fluids, which should be removed from the system immediately after the procedure. Dispose of the collection canister, patient tube and catheter and replace. If the procedure produced an excessive quantity of fluids, check the vacuum line (10) for evidence of moisture. Replace vacuum line if moisture is evident. (Use 3/8" ID tubing.)
- If the vacuum line between the pump and canister is moist, it is possible that fluids have reached the vacuum pump. Your engineering department will have to open the unit to check the condition of the pump.
- The capacity of the battery should be checked periodically by running the unit on battery only. Detach from AC power and run the unit for 15 minutes and look for a blinking LED (page 7).
- If the Medical Switcher Power Supply (F) appears defective, return the unit to the factory for repair. Do not attempt to repair the Medical Switcher Power Supply.
- If the Internal Dual Mode Charger (E) appears defective, return the unit to the factory for repair. Do not attempt to repair the Internal Dual Mode Charger.
- Cleaning: Disconnect AC power source prior to cleaning. Use a mild detergent. Do not use alcohol, solvents or cleaning solutions. For interior cleaning, use dry, compressed air.
- **For technical assistance, call (800) 434.5211, Int. +818.504.4054**

**Internal Access for Electrical and Pneumatics**

S-SCORT® newDuet® Model 2314

**WARNING: DO NOT ATTEMPT TO SERVICE THIS EQUIPMENT IF YOU ARE NOT A BIOMEDICAL TECHNICIAN**

To Remove Canister Holder:



**TO REMOVE CANISTER HOLDER:**

Remove one 4” screw and two set screws on the canister bracket. Lift canister holder up and out of the main chassis.

**OPEN/ CLOSE**

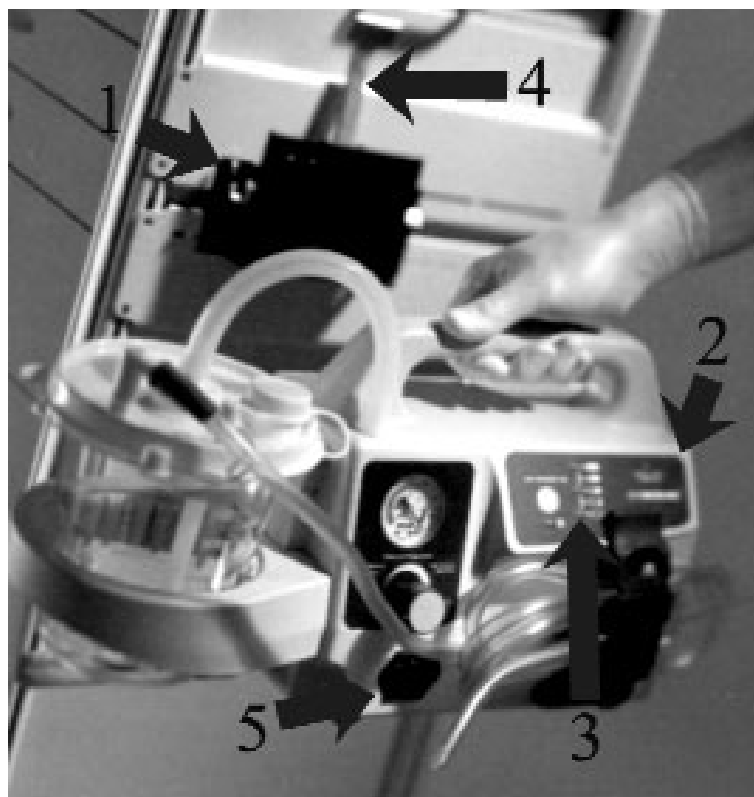
Clamshell design enables access to components. All 6- 32 phillips head fastening screws located in back of the unit.

**REMOVE MAIN CHASSIS SCREWS**

- (A) 1 screw under the canister holder.
- (B) 2 screws in the back of the handle.
- (B) 3 screws in the back of the main chassis.
- (C) It should not be necessary to open the exhaust door unless fluids have entered the system. Slowly pull the unit apart at the handle to observe internal components.
- (E) **PC BOARD- ELECTRICAL CIRCUITS**  
Do not attempt to service the PC Board. Return to SSCOR or authorized service center for service.
- (F) Power Supply (Medical Switcher). Do not attempt to service the Power Supply. Return to SSCOR or authorized service center for service for service.
- (G) Ground is connected between the receptacle and the power supply.
- (H) AC receptacle, Hospital Grade. Two 250V- 2A fuses are in the receptacle fuse drawer.
- (I) Battery Bracket.
- (J) Battery, 12V, Sealed Lead Acid.
- (K) Wiring connection to the control panel.
- (L) Vacuum pump. Return to SSCOR or authorized service center for service.
- (M) Exhaust barb.
- (N) Vacuum barb.

# Retention Bracket Mounting Instruction

S-SCORT® newDuet® Model 2314



Mount the retention bracket using the four holes on the side of the shelf (1). Mount the retention bracket so the Model 2314 suction unit can be released from the bracket easily and there is enough room to work the handle (4). The control panel (2) should be easily viewed and the battery condition LED's (3) visible when the unit (5) is connected to a grounded hospital receptacle. When placing the suction unit into the retention bracket, be sure the unit snaps into the bracket and is securely held in place.

For further instructions, please see the operations manual.

# DECLARATION OF CONFORMITY

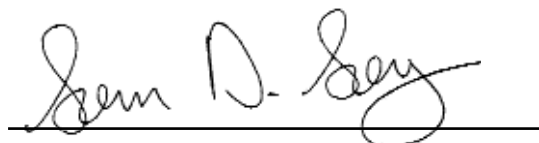
*SSCOR, Incorporated  
11064 Randall Street  
Sun Valley, CA 91352  
United States of America  
Tel: (818) 504-4054  
Fax: (818) 504-6032*

**Type of Equipment:** AC Powered & Portable Aspiration Pump  
**Model Name:** S-SCORT new-Duet®  
**Model Type Number:** 2314, 2314B,

**We herewith declare that the above mentioned product meets with the following requirements of the EC Directive concerning Medical Devices – 93/42/EEC**

**Safety:** EN 60601-1: 1990  
With A1 & A12:1993, A2:1995 & A13:1996  
**EMC:** EN 60601-1-2: 1993  
**Classification** Class IIa  
**Rules of Classification** Annex IX, Rules 6 & 11  
**Annex used for CE Declaration** Annex VI & Annex VII  
**Notified Body** SEMKO, AB

**Signature, Date:**



**Name:**  
**Title:**

Sam D. Say  
President

**Authorized European Representative**

Dynamed UK Ltd  
Unit 3 Stag Business Park  
Deer Park Court  
Donnington Wood  
Shropshire TF2 7NA, UK  
01952 56 56 56 Phone  
01952 56 56 57 Fax





**INSTRUCTIONS DE FONCTIONNEMENT  
ET  
MANUEL DE MAINTENANCE**

# **S-SCORT® newDuet® Modèle 2314**

**ASPIRATEUR DE MUCOSITÉS CA AVEC BATTERIE INTERNE  
ALIMENTATION CC 100V - 240V  
PUISSANCE 30 L/MIN  
BATTERIE INTERNE CC  
MAINTENANCE BATTERIE CONTROLÉE**

**FRANÇAIS**

**SSCOR, Inc.**  
11064 Randall St.  
Sun Valley, CA 91352  
USA

Tel +1 818 504 4054  
Fax +1 818 504 6032

[www.sscor.com](http://www.sscor.com)  
email : [marketing@sscor.com](mailto:marketing@sscor.com)

# Table des matières

S-SCORT® newDuet® TM Modèle 2314

Avertissement	16
Description générale et symboles	17
Se familiariser avec l'appareil - Instructions de base	18– 19
Caractéristiques générales – Dépannage	20
Garantie - Maintenance	21
Accès interne – Composants internes	22
Instructions de montage du support	23
Déclaration de conformité	24

## Avertissement

S-SCORT® newDuet® Modèle 2314

1. Les lois fédérales limitent l'utilisation de cet appareil à la vente, la distribution et l'utilisation par ou sur ordre d'un médecin, technicien médical urgentiste ou médecin généraliste. Cet appareil ne peut être utilisé que par du personnel médical formé aux techniques d'aspiration et à l'utilisation d'appareils médicaux d'aspiration. Il ne doit être utilisé que conformément aux instructions des autorités locales des services médicaux d'urgence.
2. Le présent manuel traite uniquement de l'utilisation et de l'entretien de cet appareil et n'aborde pas les techniques professionnelles en termes de procédures d'aspiration.
3. L'opérateur doit être parfaitement familiarisé avec ces instructions de fonctionnement avant d'utiliser l'appareil.
4. Utilisez une commande au pouce pour toutes les têtes d'aspiration, particulièrement lors de l'utilisation de l'aspirateur sur des enfants et des patients intubés. En cas d'utilisation de l'aspirateur sur des enfants et des patients intubés, vous pouvez réduire la puissance d'aspiration.
5. Rebranchez l'appareil à la source de charge CA. Contrôlez quotidiennement les indicateurs d'état de la batterie.
6. La décharge totale de la batterie est évitée par un dispositif d'arrêt de celle-ci après une durée de fonctionnement de 45 minutes environ ( $\pm 10\%$ ). Rebranchez l'appareil sur l'alimentation CA pour continuer.
7. N'utilisez pas l'appareil présence de produits inflammables ou d'anesthésiques.
8. La valve de fermeture située dans le couvercle du réceptacle se ferme lorsque le réceptacle est plein.
9. Installez un nouveau réceptacle avant de tester l'aspiration au-delà de 300 mmHg afin de minimiser le risque d'implosion qui peut se produire lorsqu'un réceptacle est vétuste ou endommagé.
10. En cas de doute quant à l'intégrité du conducteur de terre de l'alimentation secteur, utilisez uniquement la batterie interne. ATTENTION : la fiabilité de la mise à la terre peut être obtenue seulement quand l'appareil est connecté à une prise de courant marquée "Qualité Hôpital" ou "Hôpital Seulement".
11. Pour connaître l'état de charge de la batterie quand l'unité est déconnectée de la source d'alimentation, allumez l'appareil et contrôlez l'indicateur lumineux correspondant sur le panneau de commande.

S-SCORT® newDuet® Modèle 2314

Aspirateur de mucosités avec batterie interne

Brevet USA en cours d'homologation

Figure sur la liste ETL, conforme aux normes UL STD 2601-1, IEC 60601-1, EN 60601-1-2, Conforme CAN/CSA STD C22.2 N. 601.1

©2000 - 2003 SSCOR, Inc., S-SCORT, Duet, HI-D et Big Stick sont des marques commerciales de SSCOR, Inc.

# Description générale






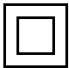

S-SCORT® newDuet® Modèle 2314

S-SCORT newDuet® est un aspirateur de mucosités portable alimenté par une batterie 12V CC. Le chargement de la batterie est assuré par un chargeur CC interne bimodal. Une batterie chargée au maximum alimente l'appareil pendant 45 minutes ( $\pm 10\%$ ). Les indicateurs lumineux situés sur le panneau de commande permettent de contrôler et de visualiser en temps réel l'état de charge de la batterie. Pour un fonctionnement fiable, chargez la batterie sur courant alternatif pendant 6 à 8 heures.

**AVERTISSEMENT : Les aspirateurs S-SCORT sont conçus pour une utilisation en véhicules hospitaliers de secours aux patients suite à une crise cardiaque, véhicules de transport de patients et les services médicaux d'urgence. Ils ne sont ni conçus ni prévus pour une utilisation dans le cadre de procédures étendues nécessitant des applications prolongées sous vide poussé avec débit d'air faible, comme les applications de drainage ou une utilisation endoscopique, ou toute autre procédure créant des niveaux de vide poussé dans un système fermé pendant une durée prolongée. Eteignez l'aspirateur S-SCORT lorsque vous ne l'utilisez pas.**

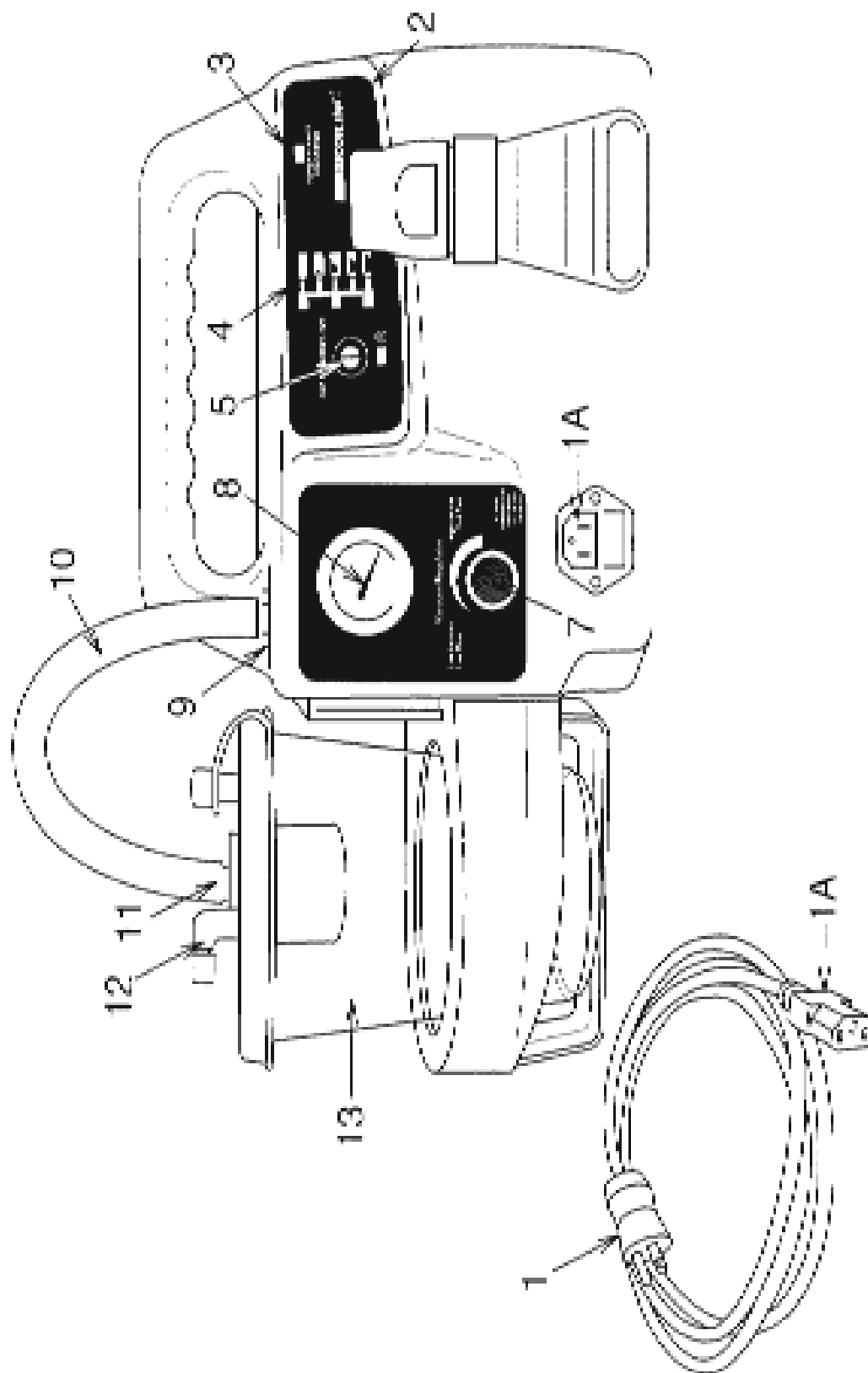
## Description des symboles

S-SCORT® newDuet® Modèle 2314

Symbole	Emplacement	Signification
	Panneau de commande	La pompe est allumée
	Inscription	Equipement de type B
	Panneau de commande	Niveau de chargement de la batterie
		Indicateur lumineux vert = charge max.
		Ind. lum. vert/jaune = charge forte
		Ind. lum. jaune = demi-charge
		Ind. lum. jaune/rouge = charge faible
	Ind. lum. rouge = batterie déchargée	
		Rechargez la batterie
	Panneau de commande	Appuyez pour allumer/appuyez pour éteindre
100-240 V 	Inscription	Courant alternatif (100-240 VAC)
	Inscription	Matériel de Classe II/Double isolation
	Panneau de commande	Connecté à la source d'alimentation

# Se familiariser avec l'appareil

S-SCORT® newDuet® Modèle 2314



# Se familiariser avec l'appareil

S-SCORT® newDuet® Modèle 2314

## Fonctionnement sur courant CA.

1. Branchez la prise mâle du cordon d'alimentation CA (1) sur une prise secteur murale reliée à la terre.
- 1A. Branchez la prise femelle sur le panneau frontal (1A).
2. L'indicateur lumineux orange "connecté à la source d'alimentation" (3) du panneau de commande (2) indique que la connexion est bonne et que la batterie est en cours de charge.

## Test d'aspiration

3. Reliez le tube patient au port patient (12) sur le bocal de recueil de sécrétions (13).
4. Appuyez sur le commutateur marche/arrêt (ON/OFF) (5) sur le panneau de commande pour actionner la pompe d'aspiration.
5. Bouchez le tube patient et tournez le régulateur d'aspiration (7) dans le sens des aiguilles d'une montre vers la position arrêt.
6. Contrôlez la jauge (8). Le chiffre de l'aspiration doit passer de zéro à 300 mmHg en 2 secondes. Le chiffre maximal doit être de 525 mmHg environ.

**REMARQUE 1 :** Si l'aspiration n'atteint pas 525 mmHg, voir Dépannage page 20. Pour tout problème d'aspiration, adressez-vous à du personnel qualifié.

**REMARQUE 2 :** Après le test d'aspiration, réglez de nouveau l'aspiration sur le niveau souhaité.

## Fonctionnement sur courant CC

Appareil allumé, débranchez le cordon d'alimentation CA (1) pour tester le fonctionnement de la batterie.

1. Contrôlez les indicateurs d'état de la batterie (4), voir page 17.

**AVERTISSEMENT PARTICULIER :** Un indicateur lumineux clignotant sur le panneau de commande indique une faible capacité de la batterie. Cela signifie que la batterie a subi des dommages irréparables (voir page 22). **REPLACEZ LA BATTERIE !**

L'appareil doit être relié en permanence à l'alimentation CA, sauf pour toute utilisation pendant le transport. La protection de la batterie écarte tout risque de surcharge.

**Contrôle hebdomadaire :** établissez une liste des contrôles nécessaires au bon fonctionnement de l'appareil.

1. Contrôlez le cordon d'alimentation CA et les indicateurs lumineux sur le panneau de commande (3).
2. Faites fonctionner l'appareil.
3. Bouchez le tube patient et contrôlez l'aspiration.
4. Contrôlez le régulateur (7) et définissez la puissance d'aspiration souhaitée.

# Caractéristiques générales

S-SCORT® newDuet® Modèle 2314

## CARACTERISTIQUES

## SPECIFICATIONS

Taille	43,18 cm x 22,86 cm x 15,24 cm
Poids	3,7 kg environ
Pompe d'aspiration	Pompe à diaphragme 12 V CC sans huile, 3,0 A Plus de 525 mmHg Débit d'air clinique = 30 l/min
Régulateur (7)	Contrôle la pression négative 50 à 525+mmHg
Jauge (si applicable)	Calibrée en mmHg. Avec code couleur
Source d'alimentation : Batterie (alimentation CC)	Batterie au plomb scellée rechargeable autonomie de 45 minutes (±10%)
Commutateur d'alimentation pour disp. méd.	100V - 240V CA47 - 63Hz Utilise 1 fusible rapide 2A 250V
Commutateur (5)	Commutateur à membrane arrêt / pause / marche
Réceptacle CA (1A)	Utilise 2 fusibles rapides 2,5A 250V
Réceptacle de recueil de sécrétions (13)	1200 cc SSCOR pièce n°48041
Tube patient	Tube vinyle 9/32"ID, 72"L SSCOR pièce n°43200
Tête d'aspiration	HI-D® . "Big Stick®". SSCOR pièce n°44241

## Dépannage

S-SCORT® newDuet® Modèle 2314

PROBLEME	CAUSE POSSIBLE	ACTION CORRECTIVE
Ne fonctionne pas lorsque le commutateur est sur marche (alimentation CC)	Batterie déchargée	Rebranchez-la à la source de charge pour activer le chargeur
	Mauvais branchements	Vérifiez les branchements
Ind. lum. clignotant	Faible capacité de la batterie	Changez la batterie
Source d'alimentation connectée mais indicateur lumineux éteint	Cordon d'alimentation déconnecté (1-1A)	Rebranchez le cordon
	Fusible fondu	Remplacez-le (cf. plus haut)
Pas d'aspiration lorsque la pompe est allumée	Ligne d'aspiration (10) lâche	Resserrez les connexions
	Réceptacle (13) défectueux	Changez le réceptacle
	Couvercle du réceptacle (13) mal fermé	Refermez le couvercle
	Le dispositif au pouce de contrôle de l'évent du cathéter est ouvert	Bouchez
	Des déchets se sont accumulés dans la pompe	Cf. la section maintenance de ce manuel.

# Garantie

S-SCORT® newDuet® Modèle 2314

SSCOR garantit que chaque nouveau produit S-SCORT est exempt de défauts en termes de matériaux et de main-d'œuvre dans des conditions normales d'utilisation et d'entretien pendant une période d'un an à compter de la date d'achat.

Si vous renvoyez l'appareil à SSCOR, nous effectuerons les réparations ou les remplacements nécessaires conformément aux clauses de la garantie. L'instrument défectueux doit être décontaminé et renvoyé correctement emballé, frais de port payés. Toute perte ou tout dommage survenu au cours de la réexpédition de l'appareil à l'usine sera aux risques de l'acheteur.

Conctez votre distributeur agréé pour obtenir une autorisation de réexpédition. Tout dommage ou perte survenu au cours de la réexpédition de l'appareil à SSCOR sera aux risques de l'acheteur.

La garantie ne s'applique pas à tout produit SSCOR ayant été réparé par une personne autre qu'un représentant SSCOR habilité. Elle ne s'applique pas non plus aux produits ayant été modifiés de quelque façon que ce soit, selon l'estimation de SSCOR, modification ayant affecté sa sécurité ou son efficacité, ni aux appareils dont le numéro de série a été altéré, effacé ou enlevé.

Cette garantie ne s'applique pas non plus à tout produit SSCOR qui aurait été branché de façon non conforme aux instructions fournies par SSCOR.

Cette garantie annule et remplace toute autre garantie expresse ou tacite et toute autre obligation ou responsabilité de SSCOR. La société SSCOR n'assume, ni autorise quiconque à assumer en son nom, toute autre responsabilité en relation avec la vente de produits SSCOR.

Cette garantie ne couvre pas les batteries et les bocal de recueil de sécrétions jetables.

## **Règles de remplacement pour la batterie modèle 2314**

Pendant 3 ans à compter de la date d'achat, SSCOR s'engage à remplacer la batterie du S-SCORT newDUET® Modèle 2314 si celle-ci n'actionne plus la pompe dans les conditions spécifiées. Pour contrôler au mieux l'état de la batterie, reportez-vous à la liste des contrôles hebdomadaires à la page 19 du présent manuel d'Instructions et Fonctionnement

# Maintenance

S-SCORT® newDuet® Modèle 2314

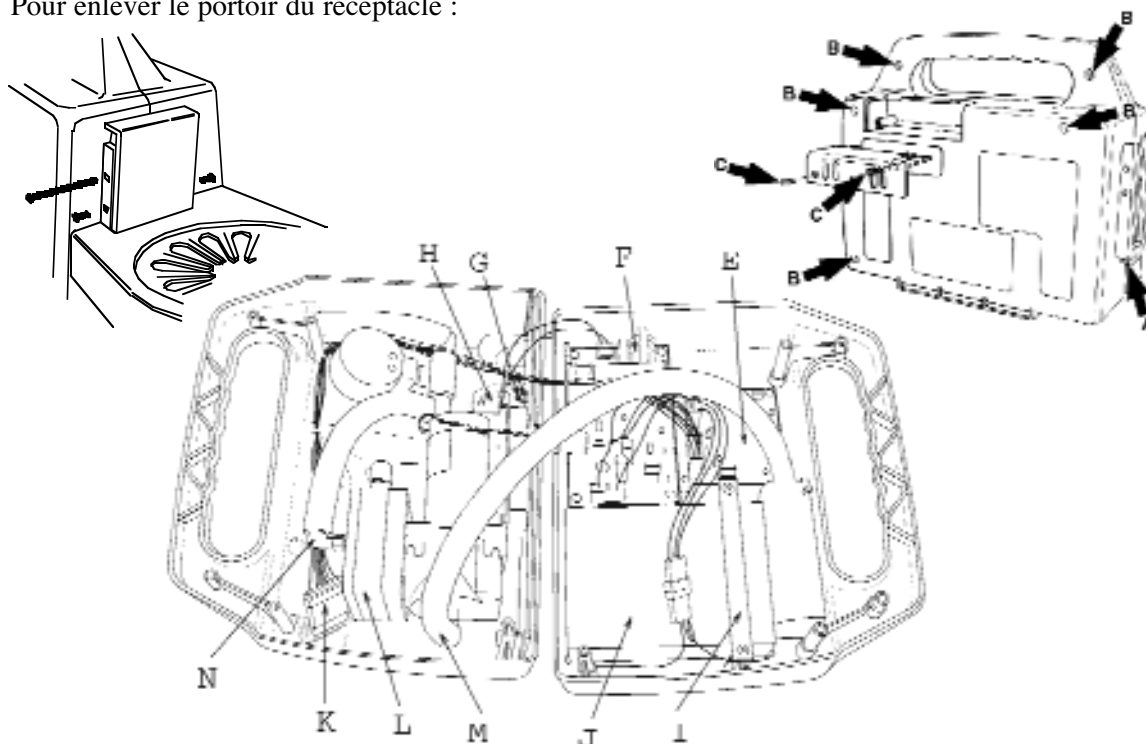
- L'appareil est conçu pour aspirer des liquides contaminés, qui doivent être enlevés du système immédiatement après la procédure d'aspiration. Jetez le bocal de recueil des sécrétions, le tube patient et le cathéter et remplacez-les. Si la procédure d'aspiration produit une quantité excessive de liquide, vérifiez la présence d'humidité sur le tuyau d'aspiration (10). Remplacez le tuyau d'aspiration si vous constatez des traces d'humidité. (Utilisez un tube de diamètre interne de 3/8'' - 9,5 mm).
- Si le tuyau d'aspiration entre la pompe et le réceptacle est humide, il est possible que le liquide ait atteint la pompe d'aspiration. Votre service technique devra ouvrir l'appareil pour contrôler l'état de la pompe.
- La capacité de la batterie doit être contrôlée périodiquement en faisant fonctionner l'appareil uniquement sur batterie. Déconnectez l'appareil de la source de chargement et faites-le fonctionner pendant 15 minutes. Contrôlez la présence d'un voyant clignotant (page 17).
- Si le commutateur d'alimentation pour dispositifs médicaux est défectueux, renvoyez l'appareil à l'usine pour réparation. N'essayez pas de réparer le commutateur d'alimentation pour dispositifs médicaux.
- Si le chargeur interne bimodal est défectueux, renvoyez l'appareil à l'usine pour réparation. N'essayez pas de réparer le chargeur interne bimodal.
- Nettoyage : débranchez l'alimentation CA avant de procéder au nettoyage. Utilisez un détergent doux. N'utilisez pas d'alcool, de solvants ou de solutions nettoyantes. Pour le nettoyage intérieur, utilisez de l'air comprimé sec.
- **Pour une assistance technique, contactez votre distributeur agréé ou le n. international +1 818.504.4054.**

## Accès interne pour le système électrique et pneumatique

S-SCORT® newDuet® Modèle 2314

ATTENTION : N'ESSAYEZ PAS DE REPARER CET EQUIPEMENT SI VOUS N'ETES PAS  
TECHNICIEN BIOMEDICAL

Pour enlever le portoir du réceptacle :



### ENLEVER LE PORTOIR DU RECEPTACLE :

Retirez une vis 4'' et deux vis de réglage de l'embase du réceptacle. Soulevez le portoir du réceptacle pour l'extraire du châssis principal.

### OUVRIR/FERMER

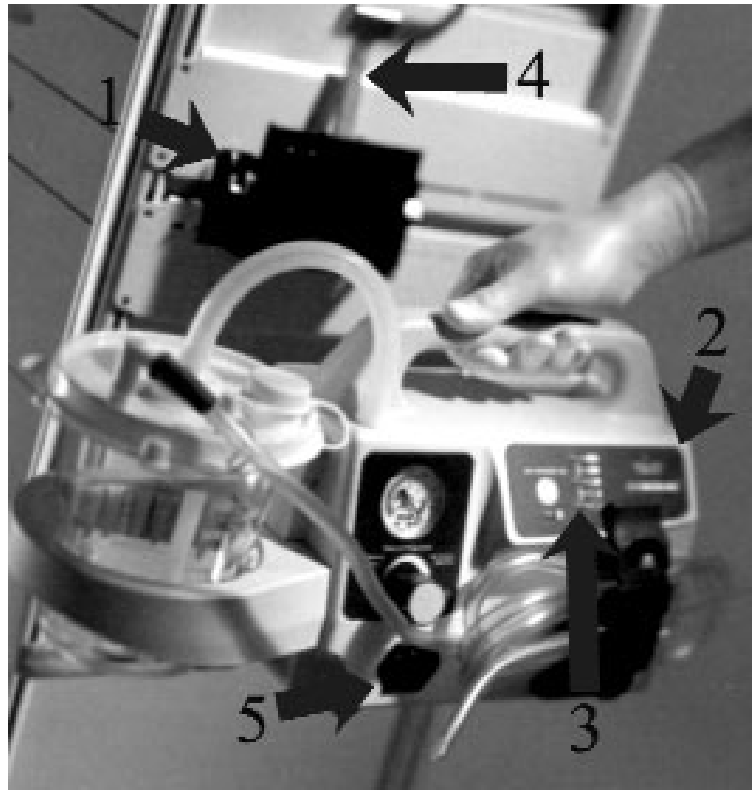
La conception en coque permet l'accès aux composants. Toutes les vis de serrage 6-32 cruciformes sont situées à l'arrière de l'appareil.

### ENLEVEZ LES VIS DU CHASSIS PRINCIPAL

- (A) 1 vis sous le portoir du réceptacle.
- (B) 2 vis à l'arrière de la poignée.
- (B) 3 vis à l'arrière du châssis principal.
- (C) Il ne devrait pas être nécessaire d'ouvrir la porte d'évacuation sauf en cas d'entrée de liquides dans le système.  
Ecartez doucement l'appareil au niveau de la poignée pour observer les composants internes.
- (E) CARTE A CIRCUITS IMPRIMES – CIRCUITS ELECTRIQUES  
N'essayez pas de réparer la carte à circuits imprimés. Renvoyez la carte à SSCOR ou à un service agréé pour réparation.
- (F) Alimentation (dispositifs médicaux). N'essayez pas de la réparer. Renvoyez la carte à SSCOR ou à un service agréé pour réparation.
- (G) La masse est reliée entre le réceptacle et l'alimentation.
- (H) Réceptacle CA, «Qualité Hôpital». La boîte à fusibles contient deux fusibles 250V - 2A.
- (I) Support batterie.
- (J) Batterie, 12V au plomb, scellée.
- (K) Connexion électrique au panneau de commande.
- (L) Pompe d'aspiration. Renvoyez la pompe à SSCOR ou à un service agréé pour réparation.
- (M) Raccord d'évacuation.
- (N) Raccord d'aspiration.

# Instructions de montage du support

S-SCORT® newDuet® Modèle 2314



Fixez le support de charge en l'alignant sur les 4 trous prévus à cet effet (1). Un montage correct doit laisser assez d'espace pour détacher facilement et rapidement l'aspirateur de mucosités modèle 2314 de son support et manipuler librement la poignée (4). Le panneau de commande (2) et l'indicateur lumineux d'état de charge de la batterie doivent être parfaitement visibles quand l'appareil (5) est branché à une prise secteur murale " Qualité Hôpital " reliée à la terre. Posez l'appareil sur son support. Assurez-vous de sa bonne tenue.

Pour de plus amples informations, veuillez consulter le manuel d'Instructions et de Fonctionnement.

# DECLARATION DE CONFORMITE

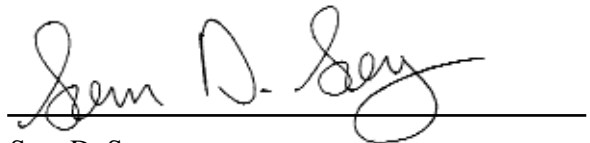
*SSCOR, Incorporated  
11064 Randall Street  
Sun Valley, CA 91352  
Etats-Unis  
Tel : (818) 504-4054  
Fax : (818) 504-6032*

**Type d'équipement:** Pompe d'aspiration portable et CA  
**Nom du modèle:** S-SCORT newDuet®  
**Numéro du type de modèle:** 2314, 2314B,

**Nous déclarons par la présente que le produit mentionné ci-dessus répond aux exigences suivantes de la directive EC relative aux appareils médicaux – 93/42/EEC**

**Sécurité:** EN 60601-1 : 1990  
Avec A1 & A12 : 1993, A2 : 1995 & A13 : 1996  
**EMC:** EN 60601-1-2 : 1993  
**Classification** Classe IIa  
**Règles de classification** Annexe IX, règles 6 & 11  
**Annexe utilisée pour la déclaration CE** Annexe VI & Annexe VII  
**Organisme notifié** SEMKO, AB

**Signature, Date:**



**Nom:**

Sam D. Say

**Fonction:**

Président

**Représentant habilité pour la zone Europe**

Dynamed UK Ltd  
Unit 3 Stag Business Park  
Deer Park Court  
Donnington Wood  
Shropshire TF2 7NA, UK  
01952 56 56 56 Phone  
01952 56 56 57 Fax





**MANUALE DI ISTRUZIONI  
E  
DI MANUTENZIONE**

# **S-SCORT® newDuet® Modello 2314**

**ASPIRATORE CA CON BATTERIA TAMPONE**

**MODELLO 30 L/MIN  
BATTERIA TAMPONE CC  
MANUTENZIONE CONTROLLATA DELLA BATTERIA**

**SSCOR, Inc.**  
11064 Randall St.  
Sun Valley, CA 91352  
USA

Tel +1 818 504 4054  
Fax +1 818 504 6032

[www.sscor.com](http://www.sscor.com)  
email: [marketing@sscor.com](mailto:marketing@sscor.com)

# Indice

S-SCORT® newDuet® Modello 2314

Attenzione	28
Descrizione generale e simboli	29
Familiarizzare con lo strumento – Istruzioni di base	30 – 31
Specifiche generali - Risoluzione dei problemi	32
Garanzia-Manutenzione	33
Accesso interno - Elementi interni	34
Istruzioni per il montaggio del supporto a muro	35
Dichiarazione di Conformità	36

## Attenzione

S-SCORT® newDuet® Modello 2314

1. La legge federale limita questo strumento alla vendita, alla distribuzione e all'uso da parte di, o su ordine di un medico, del personale medico d'emergenza o di un'altra figura medica. La legge federale limita altresì l'uso di questo strumento al personale medico a conoscenza delle tecniche di aspirazione e dell'uso delle attrezzature mediche. Utilizzare esclusivamente come prescritto dalle autorità sanitarie locali in materia di emergenza.
2. Il presente manuale intende esclusivamente illustrare l'uso e la manutenzione del presente dispositivo, senza descrivere le tecniche professionali per le procedure di aspirazione.
3. Si consiglia agli operatori di leggere attentamente le istruzioni di funzionamento prima di utilizzare l'aspiratore.
4. Usare un controllo manuale su tutte le punte di aspirazione, soprattutto quando si opera su bambini e pazienti intubati. Le impostazioni di flusso ridotto possono essere utilizzate per l'aspirazione in pazienti pediatriche e intubati.
5. Ricollegare l'apparecchio alla presa di corrente CA dopo ogni utilizzo. Verificare quotidianamente lo stato della batteria mediante l'apposito indicatore luminoso.
6. La batteria è protetta contro il rischio di scarica profonda e si spegne dopo circa 45 minuti ( $\pm 10\%$ ) di funzionamento. Ricollegare l'unità alla presa di corrente alternata per continuare l'aspirazione.
7. Non utilizzare in presenza di agenti infiammabili e anestetici.
8. La valvola di chiusura nel recipiente si chiude quando il vaso è pieno.
9. Mettere un vaso nuovo prima di effettuare il test per un valore di vuoto superiore a 300mmHg onde ridurre il rischio di implosione, che può verificarsi quando un vaso è usurato o danneggiato.
9. Tutti gli aspiratori S-SCORT devono essere ricollegati alla sorgente di carica dopo ogni utilizzo e rimanere sotto carica fino all'impiego successivo.
10. In caso di dubbio sull'integrità del conduttore di terra dell'alimentazione esterna, sarà necessario utilizzare l'unità solamente a batteria. L'affidabilità della terra è garantita solo in caso di collegamento ad una presa equivalente con marchio "Hospital Only" o "Hospital Grade".
11. Per verificare lo stato della batteria quando l'aspiratore è scollegato dalla fonte di alimentazione, accendere l'unità e controllare il LED di stato della batteria sul pannello di controllo.

# Descrizione generale






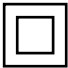
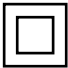

S-SCORT® newDuet® Modello 2314

L'S-SCORT newDuet® è un aspiratore portatile 100V-240V CA costante con batteria tampone da 12V CC. La batteria è ricaricata da un caricabatterie interno CC dual mode. Una batteria completamente carica è in grado di alimentare l'unità per 45 minuti ( $\pm 10\%$ ). Lo stato della batteria è monitorato automaticamente e visualizzato mediante indicatori luminosi sul pannello di controllo. La carica a corrente alternata dovrebbe portare la batteria ad un livello di carica affidabile in 6, 8 ore. La potenza di aspirazione può essere regolata qualora la piena potenza risultasse pericolosa per il paziente.

**ATTENZIONE:** Le unità di aspirazione S-SCORT sono ideate per il trattamento di pazienti colpiti da crisi cardiaca, per il trasporto e per l'assistenza medica d'emergenza. Non sono ideate o progettate per essere usate in procedure che richiedono applicazioni prolungate a vuoto alto/basso flusso, come per il drenaggio di ferite, per uso endoscopico o per qualsiasi altra procedura che crei elevati livelli di vuoto all'interno di un sistema chiuso per un lungo periodo di tempo. Si raccomanda di spegnere l'unità di aspirazione S-SCORT quando non viene utilizzata.

## Descrizione dei simboli

S-SCORT® newDuet® Modello 2314

SIMBOLO	POSIZIONE	SIGNIFICATO
	Pannello di comando	Aspiratore acceso
	Etichetta	Attrezzatura tipo B
	Pannello di comando	Livello di carica della batteria
		LED verde = Completamente carica
		LED Giallo/Arancione = Carica
		LED giallo = Metà carica
		LED rosso/giallo = Scarica
	Pannello di comando	LED rosso = Esaurita Ricaricare la batteria
	Pannello di comando	Premere On / Premere Off
	Etichetta	Corrente alternata (100-240 VCA)
	Etichetta	Apparecchiatura di classe II/Doppio isolamento
	Etichetta	Alimentazione collegata

S-SCORT® newDuet® Modello 2314

Aspiratore CA con batteria tampone

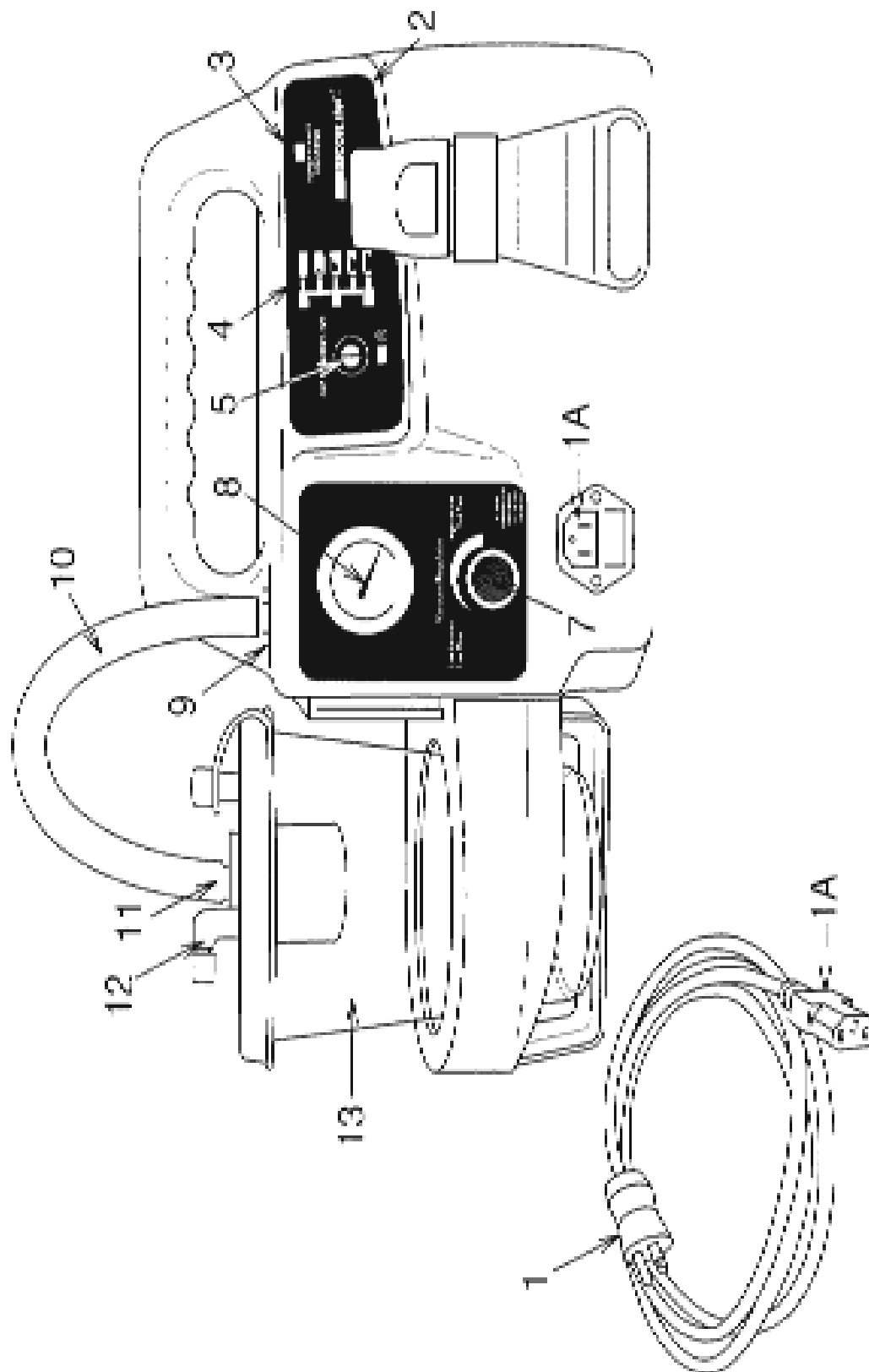
Brevetto US in corso di omologazione

Omologato ETL, conforme all'UL STD 2601-1, IEC 60601-1, EN 60601-1-2, Conforme CAN/CSA STD C22.2 N° 601.1

©2000 - 2003 SSCOR, Inc., S-SCORT, Duet, HI-D e Big Stick sono marchi registrati di SSCOR

# Familiarizzare

S-SCORT® newDuet® Modello 2314



# Familiarizzare

S-SCORT® newDuet® Modello 2314

## Funzionamento CA

1. Collegare la spina maschio del cavo di alimentazione CA (1) ad una presa di corrente munita di messa a terra.
- 1A. Collegare la spina femmina alla parte frontale dell'unità (1A).
2. Il LED arancione "alimentazione collegata" (3) indica che la batteria si sta caricando correttamente.

## Controllo del vuoto

3. Collegare il tubo paziente al raccordo paziente (12) sul vaso raccolta secreti (13).
4. Premere l'interruttore ON/OFF (5) sul pannello di comando per azionare la pompa del vuoto.
5. Chiudere il tubo del paziente e girare il regolatore del vuoto (7) in senso orario fino all'arresto.
6. Osservare l'indicatore di pressione (situato sopra al regolatore del vuoto). L'indicatore del vuoto dovrebbe passare dal valore zero a 300mmHg in 2 secondi. Dovrebbe inoltre aumentare fino a circa 525 mmHg.

**NOTA 1:** Se il vuoto non raggiunge i 525mmHg, vedere Risoluzione dei problemi pag. 32. Si prega di rivolgersi ad un tecnico qualificato per qualsiasi problema relativo al vuoto.

**NOTA 2:** Dopo aver effettuato il test del vuoto, posizionare di nuovo l'indicatore del vuoto al livello desiderato.

## Funzionamento a CC

Quando l'unità è ancora in funzione, scollegare il cavo di alimentazione CA (1) per testare il funzionamento della batteria.

1. Controllare le spie dello stato della batteria (4), vedi pag. 29.

**AVVERTENZA PARTICOLARE:** un LED lampeggiante sul pannello di comando indica una bassa capacità della batteria. Questo indica che la batteria ha subito un danno irreparabile (vedi pag. 33).

## SOSTITUIRE LA BATTERIA

Tenere il newDuet® sempre collegato alla presa CA ad eccezione di quando lo si utilizza come unità portatile. La batteria non si sovraccaricherà.

**Controllo settimanale:** redigere una checklist di controllo settimanale per garantire il corretto funzionamento dell'apparecchiatura.

1. Assicurarsi che il cavo di alimentazione alimenti il sistema. Verificare che la spia si accenda sul pannello di controllo (3).
2. Far funzionare l'unità.
3. Verificare il vuoto ostruendo il tubo paziente.
4. Controllare il regolatore (7) e impostarlo secondo le esigenze.

# Specifiche generali

S-SCORT® newDuet® Modello 2314

CARATTERISTICHE	SPECIFICHE
Dimensioni	43,18 cm x 22,86 cm x 15,24 cm
Peso	Circa 3,7 Kg
Pompa del vuoto	12V CC a diaframma senza olio, 3.0 A Supera i 525 mmHg Flusso d'aria clinico = 30 L/Min
Regolatore variabile (7)	Controlla la depressione da 50 a 525+mmHg
Vacuometro (8)	Calibrato in mmHg. codificato in base al colore
Sorgente di carica: Batteria (Corrente CC)	Batterie al piombo acido sigillate autonomia 45 minuti (±10%)
Commutatore per dispositivi medici	100V - 240 VCA, 47 - 63 Hz Utilizza 1 fusibile rapido 2A 250 V
Interruttore (5)	Interruttore a membrana Off / Standby / On
Presa CA	Utilizza 2 fusibili rapidi 2,5A 250 V
Vaso raccolta secreti (13)	1200 cc SSCOR codice 48041
Tubo paziente	Tubo in vinile con diametro interno 9/32", L 72" SSCOR codice 43200
Punta di aspirazione	HI-D®. "Big Stick®". SSCOR codice 44241

## Risoluzione dei problemi

S-SCORT® newDuet® Modello 2314

PROBLEMA	POSSIBILE CAUSA	RISOLUZIONE
Non funziona quando l'interruttore è acceso (Corrente CC)	Batteria scarica	Collegare alla sorgente di carica per azionare il carica batterie.
	Raccordi allentati	Stringere i raccordi
LED lampeggiante	Capacità della batteria bassa	Sostituire la batteria
Sorgente di carica collegata spia luminosa non accesa	Filo di alimentazione non collegato (1-1A)	Ricollegare il filo
	Fusibile saltato	Sostituire il fusibile (vedere in precedenza)
Mancata aspirazione quando l'aspiratore è in funzione.	Linea del vuoto (10) allentata	Stringere
	Vaso (13) difettoso	Sostituire
	Recipiente (13) allentato	Stringere
	Sfiato catetere aperto	Chiudere
	Accumulo di sporcizia nell'aspiratore.	Leggere la parte del presente manuale dedicata alla manutenzione.

# Garanzia

S-SCORT® newDuet® Modello 2314

SSCOR garantisce che ogni prodotto è privo di difetti nel materiale e nella manodopera in condizioni d'uso normali per un periodo di un anno a partire dalla data di acquisto.

SSCOR provvederà alla riparazione o alla sostituzione dell'unità restituita entro i termini di garanzia. Il prodotto difettoso dovrà essere decontaminato e restituito opportunamente imballato e con spese di trasporto prepagate. Qualsiasi perdita o danno durante il trasporto del prodotto alla fabbrica sono a carico del cliente.

Si prega di contattare il proprio distributore per richiedere l'autorizzazione alla restituzione. Qualsiasi perdita o danno durante il trasporto di ritorno dalla SSCOR sono a carico del cliente.

La garanzia non copre i prodotti SSCOR che non sono stati riparati da un rappresentante autorizzato SSCOR o che, a giudizio di SSCOR, sono stati alterati in modo tale da comprometterne la sicurezza e l'efficienza. La garanzia non copre altresì i danni ai prodotti provocati da uso scorretto, uso improprio o incidente o gli apparecchi in cui numero di serie è stato alterato e parzialmente o completamente cancellato.

La garanzia non copre inoltre i danni al prodotto SSCOR causati dal collegamento ad un alimentatore con caratteristiche diverse da quelle indicate nelle istruzioni fornite da SSCOR.

La presente garanzia sostituisce ogni altra garanzia, espressa o implicita, e tutti gli altri obblighi e responsabilità di SSCOR. SSCOR non si assume alcun tipo di responsabilità legata alla vendita dei prodotti SSCOR e non autorizza alcun rappresentante o altra persona a farlo in sua vece.

Le batterie e i vasi raccolta secreti sono esclusi dalla presente garanzia.

## **Politica di sostituzione della batteria modello 2314**

SSCOR sostituirà qualsiasi batteria per S-SCORT newDUET® Modello 2314 qualora essa non sia in grado di alimentare l'aspiratore secondo le specifiche per un periodo di tre anni a partire dalla data di acquisto. Controllare lo stato della batteria secondo la checklist settimanale riportata a pagina 31 del presente manuale di istruzioni.

# Manutenzione

S-SCORT® newDuet® Modello 2314

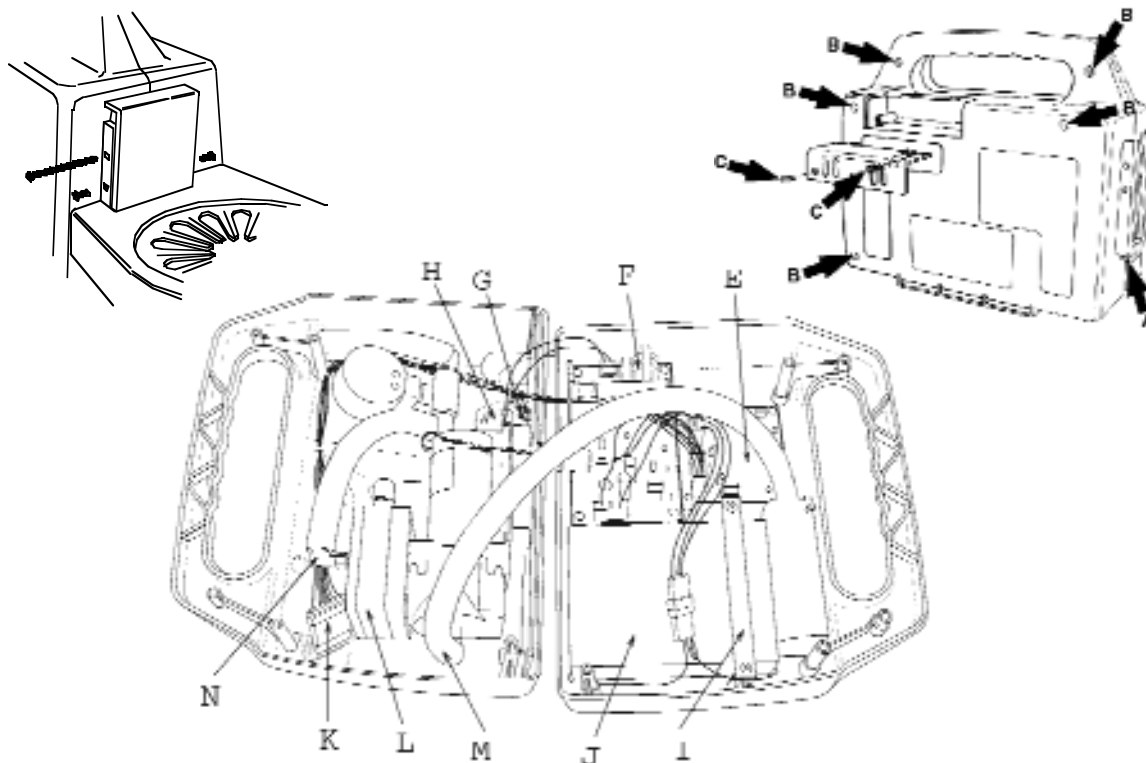
- L'unità è ideata e studiata per aspirare liquidi contaminati; si raccomanda di eliminarli dal sistema subito dopo la procedura d'aspirazione. Eliminare il vaso raccolta secreti, il tubo del paziente e il catetere e sostituirli. Se durante la procedura d'aspirazione viene prodotta una quantità di liquidi eccessiva, controllare la linea del vuoto (10) per rilevare eventuali tracce di umidità. Sostituire la linea del vuoto se sono state rilevate tracce di umidità. (Usare un tubo con diametro interno da 3/8".)
- Se la linea del vuoto tra l'aspiratore e il vaso secreti è umida, è possibile che la pompa del vuoto contenga dei liquidi. Il servizio tecnico dell'utente dovrà aprire l'unità e controllare lo stato dell'aspiratore.
- Si raccomanda di controllare periodicamente la capacità della batteria alimentando l'unità solo tramite la batteria. Scollegarla dalla sorgente CA, azionare l'unità per 15 minuti e verificare se una spia inizia a lampeggiare (pagina 31).
- Se il commutatore di alimentazione per dispositivi medici (F) risulta difettoso, restituire l'unità al produttore per la riparazione. Non tentare di riparare il commutatore di alimentazione per dispositivi medici.
- Se il carica batteria interno dual mode (E) sembra difettoso, spedire l'unità alla fabbrica per la riparazione. Non tentare di riparare il carica batteria interno dual mode.
- Pulizia: scollegare l'unità dalla sorgente CA prima di effettuarne la pulizia. Usare un detergente leggero. Non usare alcol, solventi, o altre soluzioni detergenti. Per pulire l'unità internamente, usare aria compressa secca.
- **Per assistenza tecnica, contattare il distributore autorizzato o il n. internazionale +1 818.504.4054**

## Accesso interno ai componenti elettrici e pneumatici del

S-SCORT® newDuet® Modello 2314

ATTENZIONE: NON TENTARE DI RIPARARE QUESTO STRUMENTO SE NON SI E' UN TECNICO BIOMEDICO.

Togliere il supporto del vaso secreti:



### TOGLIERE IL SUPPORTO DEL VASO SECRETI:

Togliere una vite da 4" e due viti di fissaggio sul supporto del vaso secreti. Sollevare il supporto del vaso secreti ed estrarlo dalla struttura principale.

### APERTO/CHIUSO

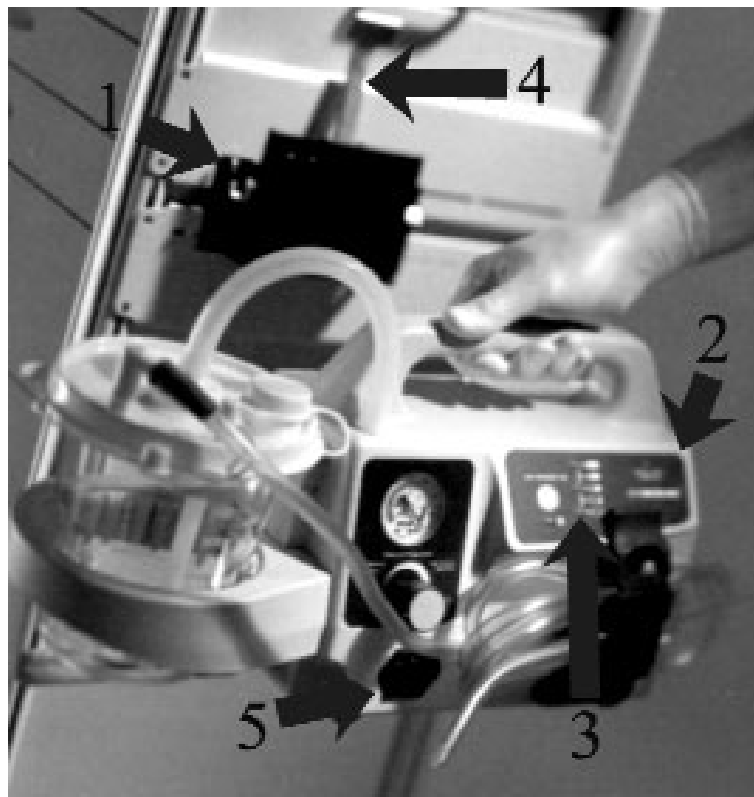
Il design con apertura a conchiglia permette l'accesso ai vari elementi. Tutte le 6 viti di fissaggio a stella si trovano sulla parte posteriore dell'unità.

### TOGLIERE LE VITI DELLA STUTTURA PRINCIPALE.

- (A) 1 vite sotto il supporto del vaso secreti.
- (B) 2 viti nella parte posteriore del manico.
- (B) 3 viti nella parte posteriore della struttura principale.
- (C) Non dovrebbe essere necessario aprire la porta di sfiato a meno che non siano entrati dei liquidi nel circuito.  
Smontare con attenzione l'unità dal manico per osservare i vari elementi interni.
- (E) **CIRCUITI ELETTRICI CON SCHEDA A CIRCUITO STAMPATO**  
Non tentare di riparare la scheda a circuito stampato. Spedire l'unità a SSCOR o ad un servizio di assistenza autorizzato per la riparazione.
- (F) Alimentazione (commutatore per dispositivi medici). Non tentare di riparare il sistema di alimentazione. Spedire l'unità a SSCOR o ad un servizio di assistenza autorizzato per la riparazione.
- (G) La massa è collegata tra il connettore e l'alimentatore.
- (H) Connettore CA, "Hospital Grade". Due fusibili 250V- 2A si trovano nell'apposito cassetto portafusibili.
- (I) Supporto a muro della batteria.
- (J) Batteria 12V, al piombo acido sigillata.
- (K) Raccordi intrecciati al pannello di controllo.
- (L) Pompa del vuoto. Spedire l'unità a SSCOR o ad un servizio di assistenza autorizzato per la riparazione.
- (M) Raccordo di sfiato.
- (N) Raccordo del vuoto.

# Istruzioni di montaggio del supporto

S-SCORT® newDuet® Modello 2314



Montare il supporto a muro utilizzando i quattro fori situati sul lato della mensola (1).

Montare il supporto in modo da poter sganciare agevolmente l'aspiratore Modello 2314 dal supporto stesso e lasciando spazio a sufficienza per afferrare la maniglia (4). Il pannello di controllo (2) e i Led (3) di verifica dello stato della batteria devono essere visibili quando l'apparecchio è collegato ad una presa con connettore di terra all'interno della struttura ospedaliera. Quando si posiziona l'aspiratore sul supporto, assicurarsi che l'unità si agganci correttamente.

Per ulteriori istruzioni si prega di consultare il manuale.

# DICHIARAZIONE DI CONFORMITA'

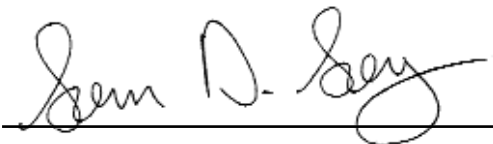
*SSCOR, Incorporated  
11064 Randall Street  
Sun Valley, CA 91352  
Stati Uniti d'America  
Tel: (818) 504-4054  
Fax: (818) 504-6032*

**Tipo di strumento:** Pompa di aspirazione CA e portatile  
**Nome modello:** S-SCORT newDuet®  
**Tipo modello:** 2314, 2314B

Con la presente dichiariamo che i prodotti sopra citati soddisfano i seguenti requisiti delle direttive della Comunità Europea – 93/42/EEC sulle attrezzature mediche

<b>Sicurezza</b>	EN 60601-1: 1990 Con A1 & A12:1993, A2:1995 & A13:1996
<b>EMC:</b>	EN 60601-1: 1993
<b>Classificazione</b>	Classe IIa
<b>Norme di Classificazione</b>	Allegato IX, Norme 6 & 11
<b>Allegato usato per dichiarazione CE.</b>	Allegato VI & Allegato VII
<b>Organismo notificato</b>	SEMKO, AB

**Firma, Data:**  
**Nome:**  
**Titolo:**

  
\_\_\_\_\_  
Sam D. Say  
Presidente

## **Rappresentante Europeo Autorizzato**

Dynamed UK Ltd  
Unit 3 Stag Business Park  
Deer Park Court  
Donnington Wood  
Shropshire TF2 7NA, UK  
01952 56 56 56 Phone  
01952 56 56 57 Fax





**MANUAL DE INSTRUCCIONES DE USO  
Y  
MANTENIMIENTO**

**NewDuet® S-SCORT® Modelo 2314**

**UNIDAD DE ASPIRACIÓN CA CON RESERVA POR BATERÍA  
ALIMENTACION 100 V - 240 V CA**

**RENDIMIENTO 30 LPM  
BATERÍA DE RESERVA CC**

**MANTENIMIENTO BATERIA CONTROLADO**

**SSCOR, Inc.**  
11064 Randall St.  
Sun Valley, CA 91352  
USA

Tel +1 818 504 4054  
Fax +1 818 504 6032

[www.sscor.com](http://www.sscor.com)  
email: [marketing@sscor.com](mailto:marketing@sscor.com)

# Tabla de Contenidos

newDuet® S-SCORT® Modelo 2314

Precaución-Aviso	40
Descripción general y símbolos	41
Familiarizarse con el aparato- Instrucciones básicas	42 - 43
Características generales – Solución problemas	44
Garantía-Mantenimiento	45
Acceso interno-Componentes internos	46
Instrucciones de montaje soporte retención	47
Declaración de Conformidad	48

## Precaución-Aviso

newDuet® S-SCORT® Modelo 2314

1. La Ley Federal restringe la venta, distribución y uso de este aparato a médicos especialistas en emergencias o, bajo consentimiento de un médico, a otros profesionales de la medicina. El uso de este aparato está destinado a personal médico con experiencia en técnicas de aspiración así como en el uso de equipos médicos de aspiración. Utilizar según prescripciones de las Autoridades Sanitarias locales en casos de emergencias.
2. El presente manual se centra en el uso y mantenimiento de este aparato, sin pretender cuestionar las técnicas profesionales en procedimientos de aspiración.
3. El operador deberá estar plenamente familiarizado con las instrucciones de uso antes de utilizar este aparato.
4. Revise meticulosamente todas las cánulas de succión con el pulgar, especialmente en los casos de aspiración a niños y pacientes intubados. Las regulaciones de flujo reducido se pueden utilizar para la aspiración en pacientes pediátricos e intubados.
5. Después de cada uso vuelva a conectar la unidad a la fuente de carga CA. Compruebe el estado de las batería todos los días a través del indicador luminoso.
6. La batería está protegida contra situaciones de descarga profunda y se apagará aproximadamente tras 45 minutos de funcionamiento ( $\pm 10\%$ ). Vuelva a conectar la unidad a la toma de CA para continuar la aspiración.
7. No utilice el aparato en presencia de agentes o anestésicos inflamables.
8. La válvula de apagado situada en la tapa del colector de mucosidad se cerrará cuando el colector esté lleno.
9. Instale un nuevo colector antes de realizar la prueba para aspiraciones superiores a 300mmHg para reducir la posibilidad de una explosión en caso que el colector sea viejo o no esté en perfectas condiciones.
10. En caso de duda acerca de la integridad del conductor de tierra de la alimentación externa, es necesario utilizar la unidad desde la fuente de alimentación eléctrica interna (sólo batería). La fiabilidad de la tierra sólo está garantizada si se conecta a un conector equivalente con la marca "Hospital Only" o "Hospital Grade".
11. Para verificar el estado de la batería cuando la unidad de aspiración está conectada a la fuente de alimentación, encienda la unidad y compruebe el LED de estado de la batería en el panel de control.

newDuet® S-SCORT® Modelo 2314

Pendiente patente Estados Unidos

Certificado por ETL (Electrical Testing Laboratories), cumple con los estándares

STD 2601-1 de UL (Underwriters Laboratories), IEC 60601-1, EN 60601-1-2, Certificado por CAN/CSA STD C22.2 N. 601.1

©2000 - 2003 SSCOR, Inc., S-SCORT, Duet, HI-D y Big Stick son marcas registradas de SSCOR, Inc.

# Descripción General






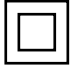

newDuet® S-SCORT® Modelo 2314

NewDuet® S-SCORT es un aparato de aspiración portátil que funciona a 100V-240V CA constante, con batería de reserva de 12V CC. La batería se recarga a través de un cargador de batería interno CC modo dual. Una batería totalmente cargada alimentará la unidad durante 45 minutos ( $\pm 10\%$ ). El estado de la batería se controla de forma automática y se visualiza en el panel de control mediante indicadores luminosos. La carga de CA debería permitir que la batería llegara a un nivel de carga fiable en 6-8 horas. La potencia de aspiración se puede regular en caso que la plena potencia fuera peligrosa para el paciente.

**PRECAUCIÓN:** Las unidades de aspiración S-SCORT están diseñadas para aspiraciones en carros de parada hospitalarios, traslado de pacientes y servicio médico de emergencia. Dichas unidades no son adecuadas para utilizar en procedimientos largos que requieran aplicaciones prolongadas de alto vacío/baja corriente de aire, como en el caso de drenaje de heridas, uso endoscópico o cualquier otro procedimiento que produzca niveles altos de vacío en un sistema cerrado durante un largo período de tiempo. Apague la unidad S-SCORT cuando no esté en funcionamiento.

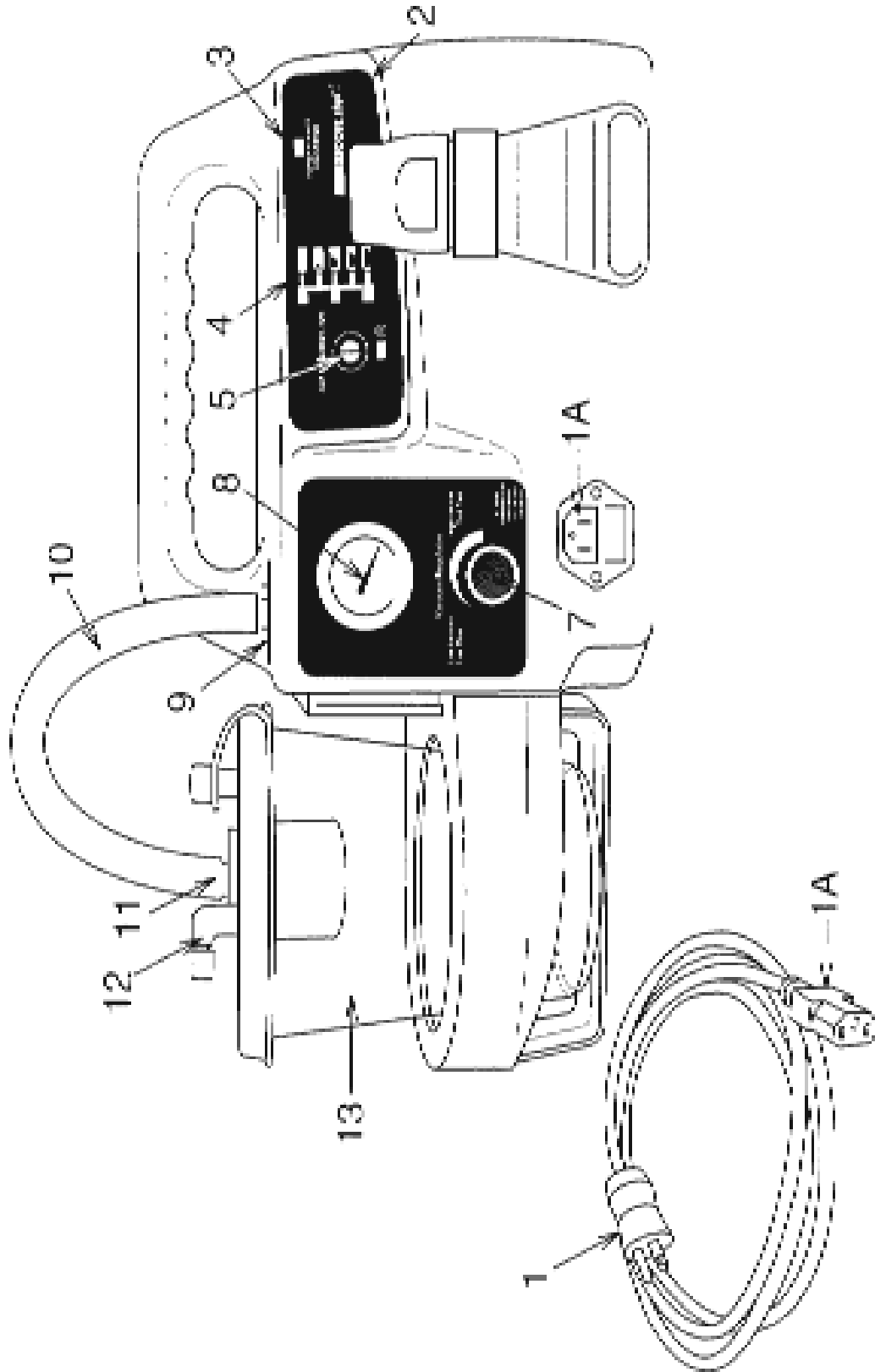
## Descripción de los símbolos

newDuet® S-SCORT® Modelo 2314

SÍMBOLO	LOCALIZACIÓN	SIGNIFICADO
	Panel de control	La bomba está encendida
	Etiqueta de serie	Equipo tipo B
	Panel de control	Nivel de carga de la batería
		LED verde=Lleno
		LED verde/amarillo = Alto
		LED amarillo = Medio
		LED amarillo/rojo= Bajo LED rojo= Batería agotada Recargar batería
	Panel de control	Pulse On / Pulse Off
100-240 V 	Etiqueta de serie	Corriente alterna (100-240V CA)
	Etiqueta de serie	Equipo de Clase II / Doble aislamiento
	Panel de control	Fuente de alimentación conectada

# Familiarizarse con el aparato

newDuet® S-SCORT® Modelo 2314



# Familiarizarse con el aparato

newDuet® S-SCORT® Modelo 2314

## Funcionamiento con corriente alterna

1. Conecte el enchufe macho del cable de alimentación CA (1) a un conector con toma de tierra.
  - 1A. Conecte el enchufe hembra a la parte frontal de la unidad (1A).
2. Cuando la unidad esté conectada a la fuente de carga verifique el panel de control (2). El LED naranja “fuente de alimentación conectada”(3) indica que la conexión es correcta y que la batería se está cargando.

## Prueba para vacío

3. Conecte el tubo del paciente a la toma del paciente (12) en el colector de mucosidad (13).
4. Para encender la bomba de succión pulse el interruptor ON/OFF (5) del panel de control.
5. Obstruya el tubo del paciente y gire el regulador de succión (7) en el sentido de las agujas del reloj hasta el tope.
6. Verifique el manómetro (8). La lectura de succión debería alcanzar en dos segundos los 300mmHg desde el ajuste a cero. Debería funcionar correctamente hasta 525 mmHg.

**NOTA 1:** Si la succión no alcanza los 525mmHg, consulte Solución de problemas página 44. Comunique los problemas de succión interna al personal calificado.

**NOTA 2:** Tras la prueba de succión, vuelva a calibrar la lectura al nivel deseado.

## Funcionamiento con corriente continua

Cuando la unidad aún está en funcionamiento, desconecte el cable de alimentación CA (1) para comprobar el estado de la batería.

1. Verifique los indicadores de estado de la batería (4). Consulte página 41.

**AVISO ESPECIAL:** Si en el panel de control parpadea un LED significa que el nivel de batería es bajo. Esto significa que la batería ha sufrido un daño irreparable (consulte página 45). **¡SUBSTITUYA LA BATERIA!**

Mantenga el newDuet® conectado a la toma CA en todo momento, excepto cuando se utilice como unidad portátil. La batería no se sobrecargará.

**Inspección semanal:** Establezca una lista de comprobaciones semanal para garantizar el funcionamiento perfecto de la unidad.

1. Compruebe el cable de alimentación de CA. Asegúrese que se encienda el indicador del panel de control (3).
2. Encienda la unidad.
3. Controle el vacío cerrando el tubo paciente.
4. Verifique el regulador (7) y ajústelo al valor deseado.

# Características generales

newDuet® S-SCORT® Modelo 2314

CARACTERISTICAS	ESPECIFICACIONES
Medidas	43 cm Longitud x 23 cm Altura x 15,2 cm Ancho
Peso	Aprox. 3,7 kg.
Bomba de succión	Diafragma sin lubricación 12 V CC, 3.0A Supera 525 mmHg Flujo de aire clínico = 30LPM
Regulador (7)	Controla el vacío desde 50 a 525+mmhg
Manómetro (8)	Regulado en mmHg. Codificado por colores
Conmutador para dispositivos médicos	100V - 240 VCA, 47 - 63 Hz Utiliza 1 fusible de acción rápida 2A 250V
Fuente de energía: Batería (corriente continua)	Batería de plomo estanca recargable Tiempo de funcionamiento 45 minutos ( $\pm 10\%$ )
Interruptor (5)	Interruptor de membrana Off/Pausa/On
Toma CA (1A)	Utiliza 2 fusibles de acción rápida 2,5A 250V
Colector mucosidad (13)	1200cc SSCOR componente n°48041
Tubo paciente	Tubo vinilo 9/32"ID, 72"L SSCOR componente n°43200
Cánula de succión	HI-D® "Big Stick®" SSCOR componente n°44241

## Solución de problemas

newDuet® S-SCORT® Modelo 2314

PROBLEMA	CAUSA POSIBLE	ACCION CORRECTIVA
No funciona cuando el interruptor está encendido (Corriente continua)	Batería sin carga	Vuelva a conectar a la fuente de alimentación para activar el cargador
LED parpadea	Capacidad de batería baja	Substituya la batería
La luz indicadora de fuente de energía conectada no está encendida	Cable CA desconectado (1-1A)	Vuelva a conectar cable
	Fusible quemado	Substituya fusible (véase anteriormente)
No hay succión mientras la bomba está en funcionamiento	Cable de succión (10) flojo	Apriete la tapa
	Colector (13) defectuoso	Substituya el colector
	Tapa del colector (13) floja	Apriete la tapa
	El orificio del catéter está abierto	Cerrar
	Residuos en la bomba	Consulte el apartado de mantenimiento de este manual

# Garantía

newDuet® S-SCORT® Modelo 2314

SSCOR garantiza durante un año desde la fecha de adquisición que todo producto nuevo se suministra sin defectos de material y fabricación en condiciones normales de uso y servicio.

En caso de devolución a SSCOR, nos encargaremos de reparar o substituir la unidad de acuerdo con los términos de garantía. Es necesario desinfectar el producto defectuoso y devolverlo debidamente embalado a portes pagados. La posible pérdida o daños causados durante el transporte a la fábrica corren a cuenta y riesgo del comprador.

Rogamos contacten su representante autorizado para la autorización de devolución. La posible pérdida o daños causados durante el transporte desde SSCOR corren a cuenta y riesgo del comprador.

La garantía no tendrá validez para ningún producto SSCOR que haya sido reparado por personal no autorizado por SSCOR o que, según SSCOR, se haya modificado de manera que repercuta negativamente en la seguridad o eficacia del aparato; la garantía tampoco se aplicará en aquellos casos en los que la unidad haya sido objeto de un uso incorrecto, negligencia o accidente ni cuando se haya cambiado, modificado o eliminado el número de serie.

La presente garantía tampoco tendrá validez en los casos en los que cualquiera de los productos SSCOR se haya conectado sin tener en cuenta las instrucciones proporcionadas por SSCOR.

Esta garantía substituye al resto de garantías mencionadas o implicadas así como el resto de obligaciones y responsabilidades de SSCOR. La empresa no asume ninguna otra responsabilidad relacionada con la venta de productos SSCOR ni autoriza que lo hagan ningún representante u otra persona.

La presente garantía no incluye las baterías ni colectores de mucosidad desechables.

## **S-SCORT Modelo 2314 con póliza de substitución batería**

Durante un período de 3 años desde la fecha de la compra SSCOR substituirá cualquier batería newDUET® S-SCORT modelo 2314 que no alimente al aspirador de acuerdo con las especificaciones. Compruebe el estado de la batería según la lista de comprobaciones semanal de la página 43 de este manual de funcionamiento.

# Mantenimiento

newDuet® S-SCORT® Modelo 2314

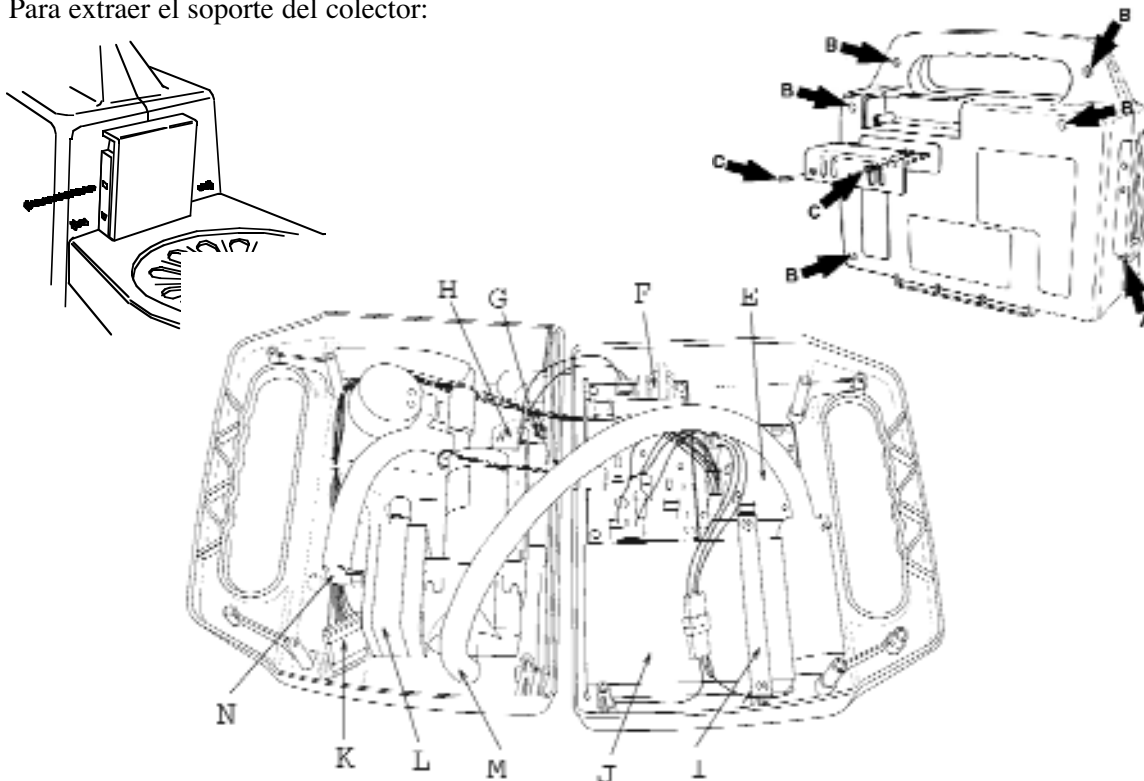
- La unidad está diseñada para aspirar fluidos contaminados y es necesario extraerlos inmediatamente después del procedimiento. Tire el colector de mucosidad, el tubo del paciente y el catéter y substitúyalos por componentes nuevos. Si durante el procedimiento se ha recogido una cantidad excesiva de fluidos, compruebe la presencia de humedad en el tubo de succión (10). De ser así, substituya el tubo de succión. (Utilice tubo ID 3/8")
- Si el tubo de succión entre la bomba y el colector está húmedo, es posible que los fluidos hayan llegado a la bomba de succión. El Dpto. Técnico de su empresa deberá comprobar el estado de la bomba.
- Es necesario comprobar la capacidad de la bomba de forma periódica haciendo funcionar la unidad sólo con batería. Desconecte la unidad de la toma de corriente durante 15 minutos y compruebe si un indicador luminoso empieza a parpadear (página 43).
- Si el conmutador de alimentación para dispositivos médicos (F) es defectuoso, devuelva la unidad al fabricante para su reparación. No intente reparar el conmutador de alimentación para dispositivos médicos.
- Si el Cargador interno de modo dual (E) es defectuoso, no trate de arreglarlo Ud. mismo y devuelva la unidad a la fábrica para su reparación.
- Limpieza: Desconecte la unidad de la fuente de alimentación antes de realizar la limpieza. Utilice un detergente suave. No utilice alcohol, disolventes o productos de limpieza. Para la limpieza del interior, utilice aire comprimido seco.
- **Para asistencia técnica llame su representante autorizado (o int. +1 818.504.4054)**

## Acceso interno a los componentes eléctricos y Neumáticos

newDuet® S-SCORT® Modelo 2314

ADVERTENCIA. NO TRATE DE REALIZAR EL MANTENIMIENTO DEL EQUIPO SI UD. NO ES TECNICO BIOMEDICO

Para extraer el soporte del colector:



### PARA EXTRAER EL SOPORTE DEL COLECTOR:

Extraiga un tornillo 4" y dos tornillos de fijación del soporte del colector. Levante el soporte del colector y extraígalo del bastidor principal.

### ABRIR/ CERRAR

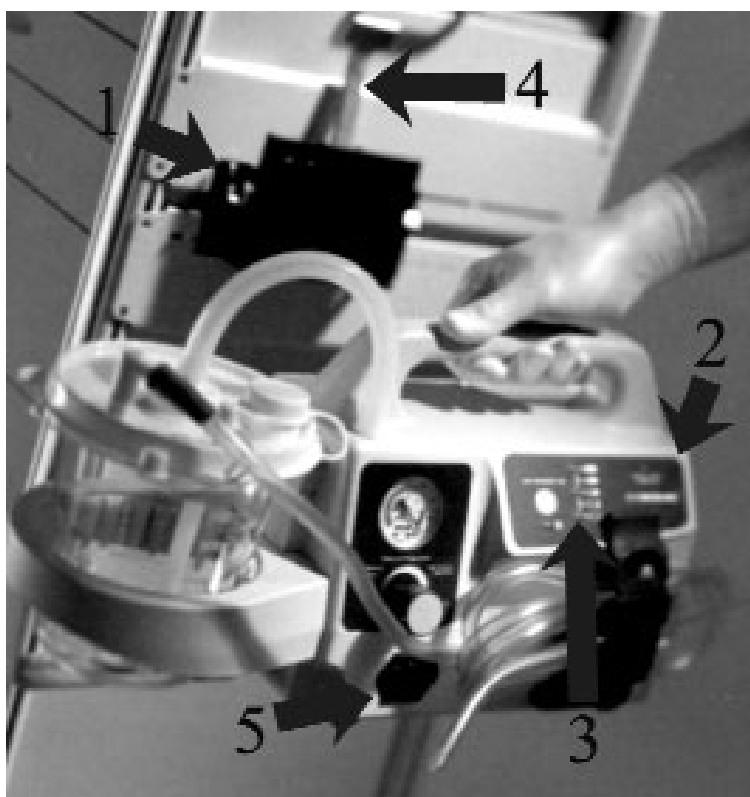
El diseño Clamshell facilita el acceso a los componentes. Todos los 6 tornillos de fijación con cabeza Phillips situados en la parte posterior de la unidad.

### EXTRAIGA LOS TORNILLOS DEL BASTIDOR PRINCIPAL

- (A) 1 tornillo debajo del soporte del colector.
- (B) 2 tornillos detrás del asa.
- (B) 3 tornillos en la parte posterior del bastidor principal.
- (C) No será necesario abrir la puerta de escape salvo en caso de entrada de líquidos en el sistema. Separe lentamente la unidad por el asa para observar los componentes internos.
- (E) **TARJETA DE CIRCUITO IMPRESO- CIRCUITOS ELECTRICOS**  
No trate de realizar el mantenimiento de la tarjeta del circuito impreso.  
Devuelva la unidad a SSCOR o a un servicio de asistencia autorizada para la reparación.
- (F) Alimentación (conmutador para dispositivos médicos). No intente reparar el sistema de alimentación. Devuelva la unidad a SSCOR o a un servicio de asistencia autorizada para la reparación.
- (G) La tierra está conectada entre el conector y la alimentación.
- (H) Conector CA, Hospital Grade. En el cajón portafusibles hay dos fusibles 250V-2A.
- (I) Soporte batería.
- (J) Batería de 12V de plomo estanca.
- (K) Conexión cables al panel de control.
- (L) Bomba de succión. Devuelva la unidad a SSCOR o a un servicio de asistencia autorizada para la reparación.
- (M) Boquilla de escape.
- (N) Boquilla de vacío.

## Montaje del soporte de retención

newDuet® S-SCORT® Modelo 2314



Monte el soporte de retención utilizando los cuatro agujeros situados al lado de la ménsula (1). Monte el soporte de retención de modo que la unidad de aspiración modelo 2314 se pueda desenganchar con facilidad del soporte dejando espacio suficiente para poder mover la manilla (4). El panel de control (2) y los LED (3) de comprobación del estado de la batería tienen que ser visibles cuando la unidad está conectada a una toma con conector de tierra en un hospital. Cuando coloque la unidad de aspiración en el soporte, asegúrese de que se mantenga en posición segura.

Para más instrucciones, rogamos consulte el manual de funcionamiento.

# DECLARACION DE CONFORMIDAD

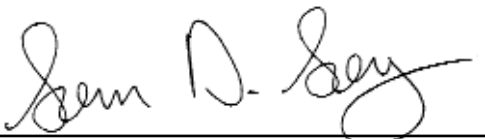
*SSCOR, Incorporated  
11064 Randall Street  
Sun Valley, CA 91352  
Estados Unidos de América  
Tel: (818) 504-4054  
Fax: (818) 504-6032*

**Tipo de equipo:** Bomba de aspiración portátil CA  
**Nombre modelo:** S-SCORT newDuet®  
**Número del tipo de modelo:** 2314, 2314B

**Por la presente declaramos que el producto indicado cumple con los siguientes requisitos de la Directiva EC sobre aparatos médicos – 93/42/EEC**

**Seguridad:** EN 60601-1: 1990  
Con A1 & A12:1993, A2:1995 y A13:1996  
**EMC:** EN 60601-1-2: 1993  
**Clasificación** Clase IIa  
**Reglas de clasificación** Anexo IX, Reglas 6 y 11  
**Anexo empleado para la Declaración CE** Anexo VI y Anexo VII  
**Organismo notificado** SEMKO, AB

**Firma y fecha:**  
**Nombre:**  
**Cargo:**

  
\_\_\_\_\_  
Sam D. Say  
Presidente

## **Representante europeo autorizado**

Dynamed UK Ltd  
Unit 3 Stag Business Park  
Deer Park Court  
Donnington Wood  
Shropshire TF2 7NA, UK  
01952 56 56 56 Phone  
01952 56 56 57 Fax





**BEDIENUNGSANLEITUNGEN  
UND  
WARTUNGSHANDBUCH**

**S-SCORT® newDuet® Modell 2314**

**ABSAUGEINHEIT MIT AKKU-SICHERHEITSPACK  
WECHSELSTROM 100V-240V AC**

**30 LPM LEISTUNG**

**GESTEUERTE AKKU-WARTUNG**

**SSCOR, Inc.**  
11064 Randall St.  
Sun Valley, CA 91352  
USA

Tel +1 818 504 4054  
Fax +1 818 504 6032

[www.sscor.com](http://www.sscor.com)  
email: [marketing@sscor.com](mailto:marketing@sscor.com)

# Inhaltsverzeichnis

S-SCORT® newDuet® Modell 2314

Warnhinweis	52
Allgemeine Beschreibung und Symbole	53
Erklärung – Grundlegende Anweisungen	54 -55
Allgemeine Spezifikationen – Fehlersuche	56
Garantie – Wartung	57
Interner Zugriff – Interne Bauteile	58
Bauanleitung für Bügelmontage	59
Konformitätserklärung	60

## Warnhinweis

S-SCORT® newDuet® Modell 2314

1. Das Bundesgesetz beschränkt dieses Gerät hinsichtlich Kauf, Vertrieb und Gebrauch auf Ärzte, Notfallrettungspersonal oder anderes medizinisches Personal bzw. entsprechend beauftragte Personen. Für die Anwendung durch medizinisches und im Umgang mit Absaugtechniken und im Gebrauch von medizinischen Absauggeräten geschultes Personal. Nur lt. Notfallvorschriften der zuständigen örtlichen Behörden verwenden.
2. Dieses Handbuch beschränkt sich auf die Anwendung und Wartung des Geräts. Es behandelt nicht die professionellen Techniken bei Absaugverfahren.
3. Der Bediener sollte vor dem Umgang mit dem Gerät mit diesen Bedienungsanleitungen vertraut sein.
4. Benutzen Sie die Daumenkontrolle bei allen Absaugmsonden, vor allem beim Absaugen von Kindern und intubierten Patienten. Die Einstellung für die reduzierte Absaugleistung kann bei Kindern und intubierten Patienten eingesetzt werden.
5. Nach jedem Einsatz wieder an der Wechselstrom-Ladequelle anschließen. Der Ladezustand des Akkus muss täglich an Hand der Kontrollleuchte überprüft werden.
6. Der Akku ist dadurch vor vollständiger Entladung geschützt, dass er sich nach etwa 45 Minuten ( $\pm 10\%$ ) Betriebszeit ausschaltet. Das Gerät an das Wechselstromnetz anschließen und neu starten.
7. Nicht in unmittelbarer Nähe von brennbaren Substanzen oder Anästhetika benutzen.
8. Das Sperrventil im Kanisterdeckel schließt sich, sobald der Kanister voll ist.
9. Installieren Sie einen neuen Kanister, bevor Sie auf Vakuum über 300 mmHg testen, um bei einem älteren oder beschädigten Behälter die Möglichkeit einer Implosion zu vermeiden.
10. Wenn Zweifel über die Erdung des externen Wechselstromnetzes bestehen dann darf die Einheit ausschließlich im Akkubetrieb eingesetzt werden. Eine sichere Erdung ist nur bei Stromanschlüssen mit der Kennzeichnung „Hospital Only“ oder „Hospital Grade“ gegeben.
11. Zur Kontrolle des Ladezustands des Akkus bei getrennter Wechselstromversorgung das Gerät einschalten und die LED für den Ladezustand des Akkus an der Steuertafel überprüfen.

S-SCORT® newDuet® Modell 2314 M  
Absaugeinheit mit Akku-sicherheitspack  
US Patent Pendig

ETL markiert, lt. UL STD 2601-1, IEC 60601-1, EN 60601-1-2, Zertifizierung nach CAN/CSA STD C22.2 N. 601.1  
©2000 - 2003 SSCOR, Inc., S-SCORT, Duet, HI-D und Big Stick sind eingetragene Warenzeichen der SSCOR, Inc.

# Allgemeine Beschreibung




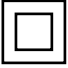

S-SCORT® newDuet® Modell 2314

S-SCORT newDuet® ist ein tragbares konstantes Absauggerät, das mit Wechselstrom 100V-240V AC arbeitet und mit einem 12V DC Akku-Sicherheitspack ausgestattet ist. Der Akku wird über ein internes Zwei-Modus Gleichstromladegerät aufgeladen. Ein voll geladener Akku speist die Einheit 45 Minuten ( $\pm 10\%$ ) lang. Der Ladezustand des Akkus wird automatisch überwacht und mit Hilfe der LED-Kontrollleuchten an der Steuertafel angezeigt. Mit einer Akkuladung von 6 bis 8 Stunden kann der Akku ausreichend geladen werden.

**VORSICHT:** Die Absaugeinheiten von S-SCORT sind für die Patienten mit Herz-Kreislauf Kollaps, den Patiententransport und den medizinischen Notfalldienst konzipiert. Sie sind nicht für den Einsatz bei längeren Verfahren gedacht, die längere Vakuum- und niedrige Luftstromanwendungen erfordern wie beispielsweise eine Wunddrainage, ein endoskopischer Einsatz oder jedes andere Verfahren, bei dem hohe Vakuumniveaus innerhalb eines geschlossenen Systems über einen längeren Zeitraum erforderlich sind. Schalten Sie die S-SCORT-Absaugeinheit aus, wenn diese nicht im Einsatz ist.

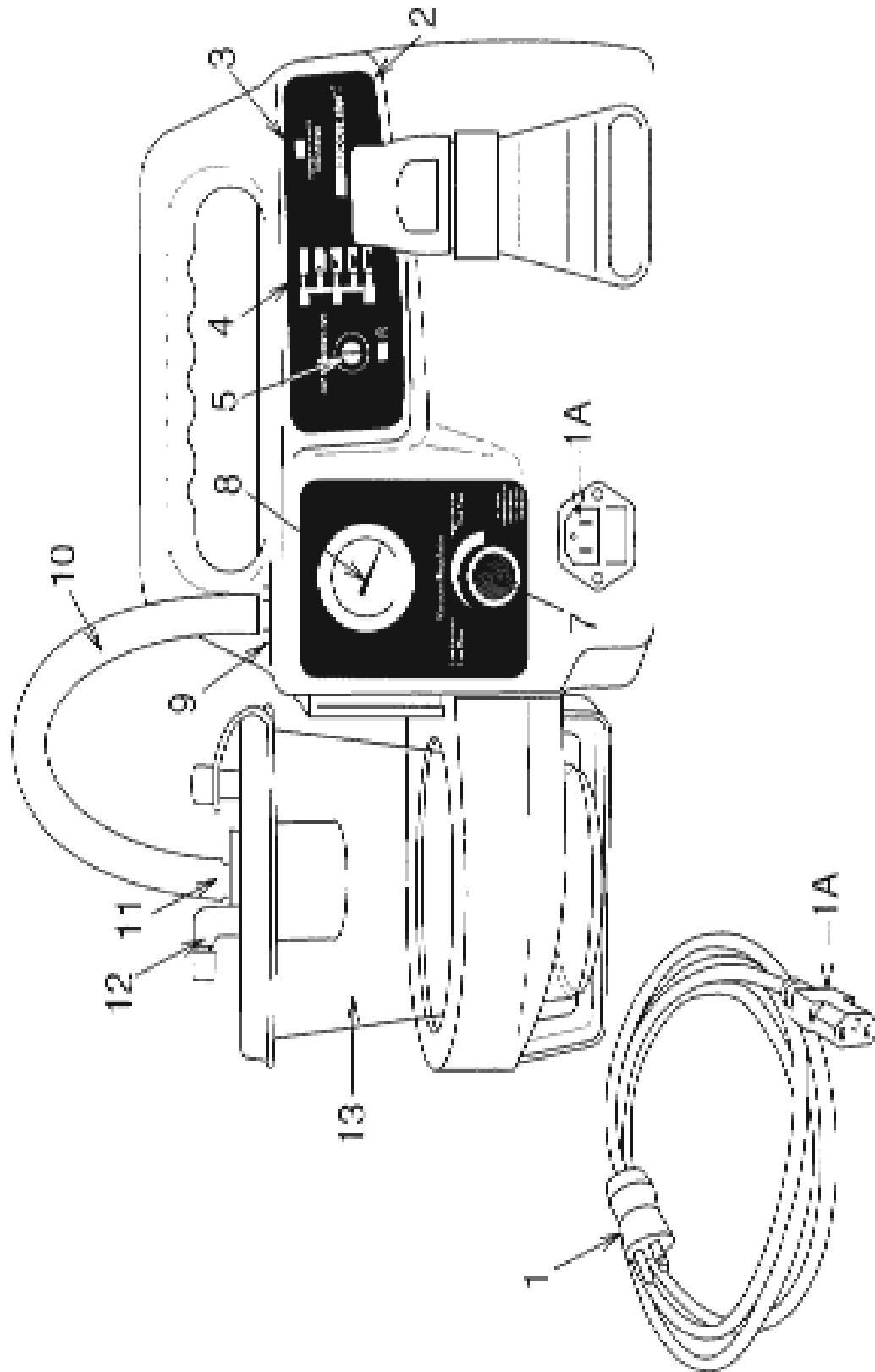
## Zeichenbeschreibung

S-SCORT® newDuet® Modell 2314

ZEICHEN	UNTERBRINGUNG	BEDEUTUNG
	Steuertafel	Pumpe ein
	Serienetikett	Ausrüstung vom Typ B
	Steuertafel	Akkuladezustand
		Grüne LED = Voll
		Grün / gelbe LED = Hoch
		Gelbe LED = Halb
		Gelb / rote LED = Niedrig
	Steuertafel	Rote LED = Akku fast leer Akku aufladen Ein / Aus drücken
100-240 V 	Serienetikett	Wechselstrom (100-240 VAC)
	Serienetikett	Ausrüstung von der Klasse II / Doppelte Isolierung
	Steuertafel	Stromquelle angeschlossen

# Erklärung

S-SCORT® newDuet® Modell 2314



# Erklärung

S-SCORT® newDuet® Modell 2314

## Wechselstrombetrieb

1. Den Gerätestecker des Zuleitungskabels (1) in eine geerdete Steckdose einstecken.
  - 1A. Die Steckbuchse an der Frontseite des Geräts (1A) einstecken.
2. Wenn die Einheit an die Ladequelle angeschlossen ist, die Steuertafel (2) kontrollieren. Die orange LED (3) "Stromquelle angeschlossen" zeigt die richtige Verbindung und dass der Akku geladen wird.

## Vakuum Test

3. Den Patienten-Tubus an die Patientenanschlussstelle (12) auf dem Sammelkanister (13) stecken.
4. Den EIN/AUS-Schalter (5) auf der Steuertafel drücken, um die Vakuumpumpe zu starten.
5. Den Patienten-Tubus verschließen und den Vakuum-Regelschalter (7) im Uhrzeigersinn auf Stopp stellen.
6. Die Messuhr beobachten (oberhalb des Vakuumreglers). Der abgelesene Vakuumwert sollte innerhalb von 2 Sekunden von der Nullstellung auf 300 mmHg steigen. Das Ausschalten sollte bei max. ungefähr 525 mmHg erfolgen.

**ANMERKUNG 1:** Wenn das Vakuum nicht über 525 mmHg nicht erreicht (Siehe Fehlersuche Seite 53). Bei internen Vakuumproblemen wenden Sie sich bitte an Fachpersonal.

**ANMERKUNG 2:** Nach dem Vakuumtest die Vakuumeinstellung auf das gewünschte Niveau bringen.

## Gleichstrombetrieb

Bei laufender Einheit das Netzkabel (1) abnehmen um die Batteriefunktion zu testen.

1. Kontrollieren Sie die Anzeiger für den Akkuzustand (4). Siehe Seite 53.

**BESONDERER HINWEIS:** Eine blinkende LED auf der Steuertafel zeigt an, dass der Akku fast leer ist. Dies bedeutet, dass der Akku unwiderruflich beschädigt ist. Siehe Seite 57. **AKKU AUSWECHSELN!**

Lassen Sie das Gerät immer an der Wechselstrom-Ladequelle angeschlossen, es sei denn, es wird im tragbaren Einsatz verwendet. Die Batterie wird nicht überladen.

**Wöchentliche Kontrolle:** Aufstellung einer Checkliste zur Funktionskontrolle der Einheit:

1. Das Zuleitungskabel der Wechselstromquelle überprüfen. Kontrollieren ob die Ladekontrollleuchte an der Steuertafel (3) aufleuchtet.
2. Die Einheit in Betrieb nehmen.
3. Das Vakuum kontrollieren indem der Patientenschlauch zugehalten wird.
4. Den Regelschalter (7) kontrollieren und auf den gewünschten Wert einstellen.

# Allgemeine Spezifikationen

S-SCORT® newDuet® Modell 2314

MERKMALE	SPEZIFIKATIONEN
Größe	43 cm L x 23 cm H x 15,2 cm B
Gewicht	Etwa 3,7 Kg
Vakuumpumpe	12 V Gleichstrom ölfreie Diaphragma, 3.0A Über 525 mmHg Klinischer Luftstrom >=30 LPM
Regler (7)	Kontrolliert das Vakuum von 50 bis 525+mmHg
Messuhr (8)	In mmHg geeicht. Farbcodiert
Stromquelle: Akku (Gleichstrom)	Aufladbarer versiegelter Bleisäure-Akku 45 (±10%) Minuten Betriebszeit
Medizinisch Anschluss	100 V - 240 V AC, 47 - 63 Hz Abgesichert durch (1) 2A 250V flinke Sicherung
Schalter (5)	Aus/Standby/Ein Membranschalter
Wechselstrombuchse (1A)	Abgesichert durch (2) 2.5A 250V flinke Sicherungen
Sammelkanister (13)	1200cc SSCOR Produkt #48041
Patiententubus	Vinylschlauch 9/32"ID, 72"L SSCOR Produkt #43200
Absaugspitze	HI-D® "Big Stick"® SSCOR Produkt #44241

## Fehlersuche

S-SCORT® newDuet® Modell 2314

PROBLEM	MÖGLICHE URSACHE	BEHEBUNG
Funktioniert nicht nach Einschalten (Gleichstrom)	Akku leer	An die Wechselstromversorgung, anschließen um das Akkuladegerät zu aktivieren
LED blinkt	Niedrige Akkukapazität	Akku ersetzen
Stromquelle angeschlossen, Anzeigelicht leuchtet nicht	Netzkabel nicht eingesteckt (1-1A) Sicherung defekt	Netzkabel einstecken Defekte Sicherung austauschen (siehe oben)
Keine Absaugung, wenn Pumpe läuft	Vakuumleitung (10) lose Kanister (13) defekt Kanisterdeckel (13) lose Katheterflügelöffnung ist geöffnet Ablagerungen in der Pumpe angesammelt	Anziehen Ersetzen Anziehen Schließen Siehe Wartungskapitel des Handbuchs

# Garantie

S-SCORT® newDuet® Modell 2314

SSCOR übernimmt für jedes neue Produkt hinsichtlich Material- und Herstellungsfehler bei sachgerechtem Gebrauch eine einjährige Garantie ab Kaufdatum.

Bei Rücksendung eines Produktes an SSCOR werden wir uns im Rahmen der Garantie um eine Reparatur oder entsprechenden Ersatz bemühen. Das defekte Produkt muss gereinigt, angemessen verpackt und mit bezahlten Transportkosten eingesandt werden. Rufen Sie an unter +818.504.4054, um eine Genehmigung zur Rücksendung zu erhalten. Der Käufer trägt das Versandrisiko hinsichtlich Verlust oder Beschädigung.

Die Garantie verfällt, sobald SSCOR Produkte von einer nicht durch SSCOR autorisierten Person repariert oder so manipuliert wurden, dass nach Ansicht von SSCOR ihre Sicherheit oder Funktionstüchtigkeit beeinträchtigt wurden. Gleiches gilt bei unsachgemäßem Gebrauch, Fahrlässigkeit oder Unfall bzw. bei einer Manipulation der Seriennummer.

Die Garantie erlischt auch, wenn ein Produkt von SSCOR anders als in den von SSCOR vorgegebenen Anweisungen angeschlossen wurde.

Diese Garantie ersetzt alle anderen ausdrücklichen oder impliziten Garantien sowie alle anderen Verpflichtungen oder Haftungen von SSCOR, ebenfalls übernimmt SSCOR weder eine anderweitige Haftung beim Kauf von SSCOR Produkten noch berechtigt SSCOR Vertreter oder andere Personen dahingehend.

Akkus und Einweg-Sammelkanister sind von dieser Garantie ausgenommen.

## **S-SCORT newDuet® Modell 2314 Akku Ersatzpolitik**

SSCOR tauscht innerhalb von drei Jahren ab dem Kaufdatum alle Akku-Sicherheitspacks für das S-SCORT newDUET® Modell 2314 aus, mit denen die Pumpe gemäß den Spezifikationen nicht mehr betrieben werden kann. Der Status des Akkus muss gemäß der Checkliste auf der Seite 54 dieses Bedienungs- und Wartungshandbuchs wöchentlich überprüft werden.

# Wartung

S-SCORT® newDuet® Modell 2314

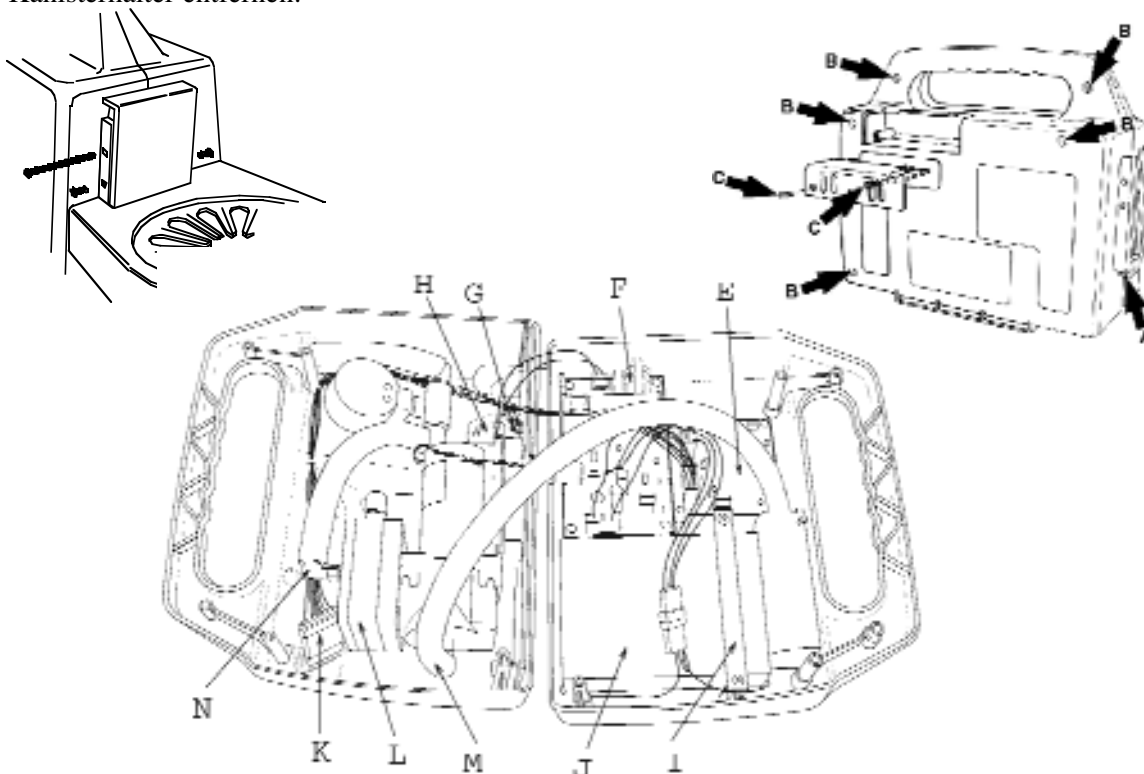
- Die Einheit ist zum Absaugen von kontaminierten Flüssigkeiten konzipiert, die sofort nach dem Verfahren aus dem System entfernt werden müssen. Den Sammelkanister, den Patiententubus und Katheter nach Gebrauch entsorgen und ersetzen. Wenn bei dem Verfahren zu viel Flüssigkeit produziert wird, die Vakuumleitung (10) auf sichtbare Feuchtigkeit kontrollieren. Die Vakuumleitung bei sichtbarer Feuchtigkeit ersetzen. (Einen 3/8“ ID Schlauch benutzen).
- Wenn die Vakuumleitung zwischen der Pumpe und dem Kanister feucht ist, könnte Flüssigkeit zur Vakuumpumpe vorgedrungen sein. Ihre Technikabteilung muss dann die Einheit öffnen und den Pumpenzustand untersuchen.
- Die Akku-Kapazität muss regelmäßig getestet werden, indem die Einheit nur über Akku betrieben wird. Das Netzkabel vom Gerät abnehmen, das Gerät für 15 Minuten einschalten und überprüfen ob die Kontrollleuchte zu blinken beginnt (Seite 54).
- Wenn der Umschalter der Stromversorgung für die medizinischen Anschlüsse (F) defekt ist, die Einheit zur Reparatur an das Werk senden. Nicht versuchen, den Umschalter der Stromversorgung für die medizinischen Anschlüsse zu reparieren.
- Wenn das interne Zwei-Modus-Ladegerät (E) defekt ist, die Einheit zur Reparatur an das Werk senden. Nicht versuchen, das interne Zwei-Modus-Ladegerät zu reparieren.
- Reinigung: Vor dem Reinigen das Netzkabel abnehmen. Ein mildes Reinigungsmittel benutzen. Keinen Alkohol, Lösemittel oder Reinigungslösungen benutzen. Zum Reinigen der Innenteile trockene Druckluft benutzen.
- **Für den Kundendienst ihre Autorisierte Vertretung anrufen (oder int. +1 818.504.4054)**

## Interner Zugriff auf elektrische und pneumatische Bauteile

S-SCORT® newDuet® Modell 2314

ACHTUNG: NICHT VERSUCHEN, DIESE AUSRÜSTUNG ZU WARTEN, WENN SIE KEIN BIOMEDIZINISCHER TECHNIKER SIND

Kanisterhalter entfernen:



### KANISTERHALTER ENTFERNEN:

Eine 4" Schraube und zwei Stellschrauben auf dem Kanisterbügel entfernen. Den Kanisterhalter nach oben und aus dem Gehäuse herausheben.

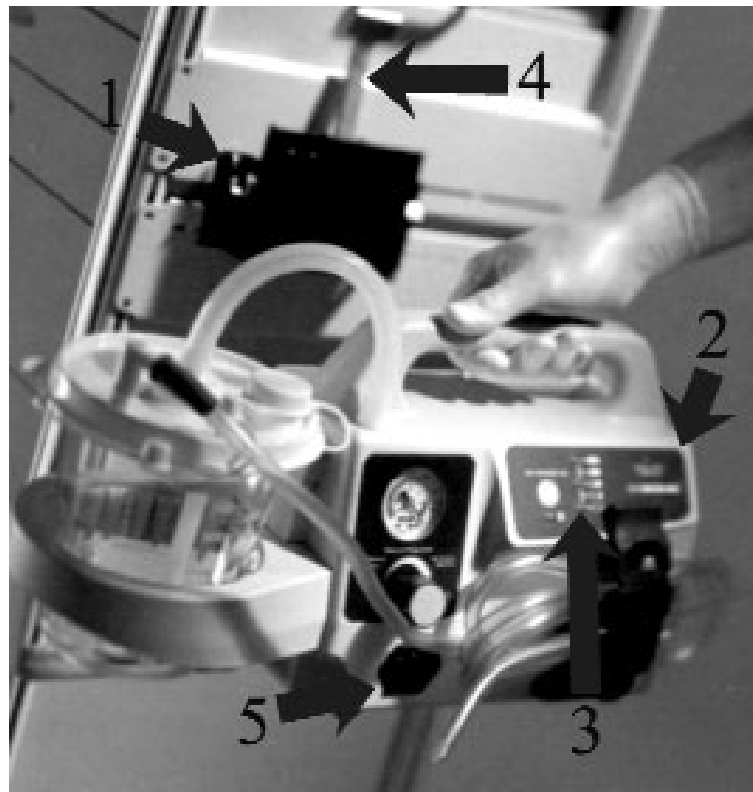
### ÖFFNEN/SCHLIESSEN

Das aufklappbare Design gestattet den Zugriff auf die Bauteile. Alle 6 Kreuzschlitzschrauben befinden sich auf der Rückseite der Einheit.

### HAUPTGESTELLSCHRAUBEN ENTFERNEN

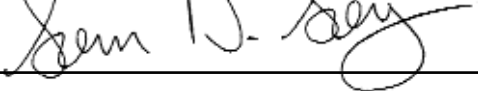
- (A) 1 Schraube unter dem Kanisterhalter.
- (B) 2 Schrauben auf der Griffrückseite.
- (B) 3 Schrauben auf der Rückseite des Hauptgehäuses.
- (C) Die Abgasklappe sollte nur geöffnet werden, wenn Flüssigkeiten in das System eingedrungen sind. Ziehen Sie die Einheit langsam an dem Griff weg, um das Innere zu begutachten.  
Bauteile:
- (E) PC KARTE – ELEKTRISCHE SCHALTKREISE  
Nicht versuchen, die PC-Karte zu warten. Diese zu Wartungszwecken oder an SSCOR zur Reparatur schicken.
- (F) Netzgerät (Umschalter für medizinische Anschlüsse). Das Netzgerät darf nicht eigenmächtig repariert werden. Diese zu Wartungszwecken oder an SSCOR zur Reparatur schicken.
- (G) Es besteht eine Erdungsverbindung zwischen dem Stecker und dem Netzgerät.
- (H) Wechselstrombuchse, „Hospital Grade“. Zwei Ersatzsicherungen 250V-2A befinden sich im Fach für Ersatzsicherungen.
- (I) Akkubügel.
- (J) Akku, 12 V, versiegelter Bleisäureakku.
- (K) Verdrahtungen an der Steuertafel.
- (L) Vakuumpumpe. Diese zu Wartungszwecken oder an SSCOR zur Reparatur schicken.
- (M) Abgashaken.

(N) Vakuumbaken.



# Montageanleitung für Haltebügel

S-SCORT® newDuet® Modell 2314

Der Haltebügel über die vier Bohrungen seitliche an der 1  
Der Haltebügel so anbringen damit die Absaugeinheit M.  den  
kann und gleichzeitig ausreichend Raum für den Handgriff (+) verbleibt. Die Sicherung (2) sollte gut  
sichtbar sein und die LED (3) müssen ebenfalls gut sichtbar sein wenn die Einheit über einen geerde-  
ten Stromanschluss an die Stromversorgung des Krankenhauses angeschlossen wird. Wenn die  
Absaugeinheit in die Halterung gelegt wird muss kontrolliert werden ob die Einheit richtig  
angeschlossen ist.

Für weitere Informationen bitte im Betriebshandbuch nachschlagen.

# KONFORMITÄTSERKLÄRUNG

*SSCOR, Incorporated  
11064 Randall Street  
Sun Valley, CA 91352  
USA*

*Tel.: (818) 504-4054*

*Fax: (818) 504-6032*

**Ausrüstungstyp:** Tragbare Absaugereinheit mit Wechselstromversorgung  
**Modellname:** S-SCORT newDuet®  
**Modelltypnummer:** 2314, 2314B

**Wir erklären, dass das oben genannte Produkt konform ist mit den folgenden Anforderungen der EG-Richtlinie für medizinische Geräte – 93/42/EWG**

**Sicherheit:** EN 60601-1: 1990  
mit A1 & A12:1993, A2:1995 & A13:1996  
**EMV:** EN 60601-1-2: 1993  
**Klassifizierung** Klasse IIa  
**Klassifizierungsregeln** Anhang IX, Vorschriften 6 & 11  
**Anhang für die CE-Erklärung** Anhang VI & Anhang VII  
**Gemeldete Behörde** SEMKO, AB

**Unterschrift, Datum:**

**Name:** Sam D. Say  
**Titel:** Vorsitzender

**Autorisierte Vertretung für Europa**

Dynamed UK Ltd  
Unit 3 Stag Business Park  
Deer Park Court  
Donnington Wood  
Shropshire TF2 7NA, UK  
01952 56 56 56 Phone  
01952 56 56 57 Fax

